

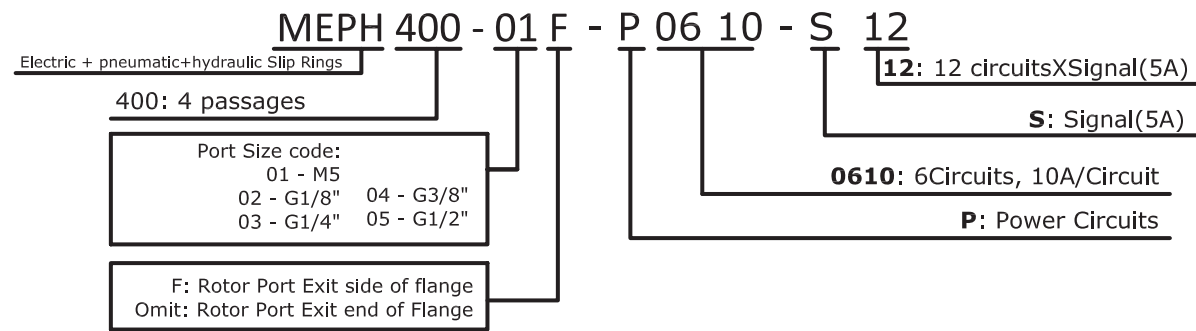
# MEPH400(4 PASSAGE+Electric)



MEPH400 slip rings, 4 passageway Pneumatic/Hydraulic, are specialized slip rings solutions, it can combine with power,signal,Ethernet,USB,Devicenet,Control Net,Canbus on request! It also could be mounted by shaft or optional flange mounting.

Connection Size:M5,G1/8",G1/4",G3/8",G1/2"

Media Types: Air/Gas, Chemical, DI / Tap Water, Oil, Water/Glycol.



## Parts# in stock

Parts#	Passage(Way)	Torque(N.m)	Passage Size
MEPH400-01	4	1N.m	M5
MEPH400-01F	4	1N.m	M5
MEPH400-02	4	2N.m	G 1/8"
MEPH400-02F	4	2N.m	G 1/8"
MEPH400-03	4	3N.m	G 1/4"
MEPH400-03F	4	3N.m	G 1/4"
MEPH400-04	4	6N.m	G 3/8"
MEPH400-04F	4	6N.m	G 3/8"
MEPH400-05	4	8N.m	G 1/2"
MEPH400-05F	4	8N.m	G 1/2"

Parts# - Combine with Electricl Circuits

Parts#	Passage(Way)	10A	Signal/5A	RingNum
MEPH400-XXX	4	0	0	0
MEPH400-XXX-S06	4	0	6	6
MEPH400-XXX-P0610	4	6	0	6
MEPH400-XXX-S12	4	0	12	12
MEPH400-XXX-P0610-S06	4	6	6	12
MEPH400-XXX-P1210	4	12	0	12
MEPH400-XXX-S18	4	0	18	18
MEPH400-XXX-P0610-S12	4	6	12	18
MEPH400-XXX-P1210-S06	4	12	6	18
MEPH400-XXX-P1810	4	18	0	18
MEPH400-XXX-S24	4	0	24	24
MEPH400-XXX-P0610-S18	4	6	18	24
MEPH400-XXX-P1210-S12	4	12	12	24
MEPH400-XXX-P1810-S06	4	18	6	24
MEPH400-XXX-P2410	4	24	0	24
MEPH400-XXX-S30	4	0	30	30
MEPH400-XXX-S36	4	0	36	36
MEPH400-XXX-S48	4	0	48	48
MEPH400-XXX-S60	4	0	60	60
MEPH400-XXX-S72	4	0	72	72

## Specifications

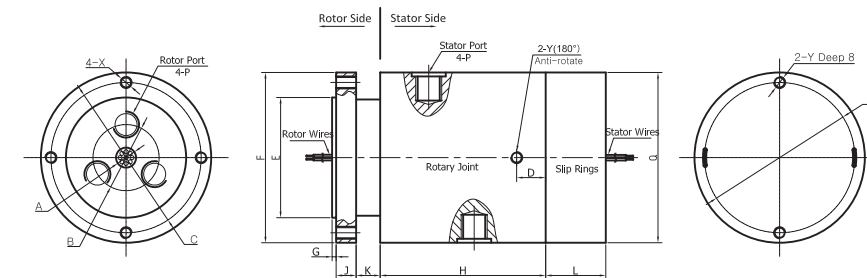
### Rotary Joints Specifications

PassageWay	4	Max Pressure	1500PSI(100BAR)
Max. Vacuum	10HG	Max Speed	500RPM
Material Type	Aluminum	Temperature	-40° C to 105° C

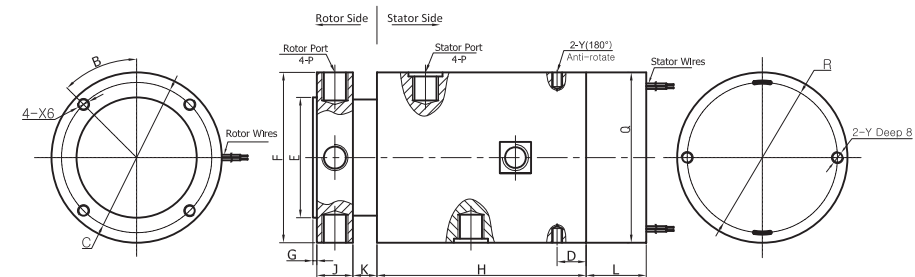
### Electrical Specifications

Rating voltage	600 VDC/VAC	Contact material	Precious Metal:Gold-Gold
Dielectric strength	1000VDC@50Hz	Lead Wire	UL Teflon®
Insulation resistance	1000MΩ@600VDC	Lead Lengths	250mm
Operating Temp.	-40° C to 80° C	Protection	IP51
Mechanical vibratio	MIL-SID-810E	Humidity	10% to 90% RH
Materials	Lead Free,RoHS compliant	CE Certified	YES

## Drawings



Size Code Part#	A	B	C	D	E	F	G	H	J	K	Q	R	P	X	Y	L
MEPH400-01	φ10	φ20	φ51	12.5	φ40	φ60	2	77.5	5	12	φ60	φ51	M5	M5	M4	21.2+2.8XRingNum
MEPH400-02	φ10	φ28	φ61	13	φ50	φ70	2	102.5	7	12	φ70	φ61	G1/8	M5	M4	21.2+2.8XRingNum
MEPH400-03	φ10	φ33	φ75	14.5	φ60	φ85	2	129.7	10	12	φ85	φ75	G1/4	M6	M6	24.5+3.4XRingNum
MEPH400-04	φ10	φ36.5	φ82	14.5	φ65	φ94	2	144.5	10	12	φ94	φ82	G3/8	M6	M6	24.5+3.4XRingNum
MEPH400-05	φ10	φ41	φ97	15.5	φ80	φ109	2	162.5	10	12	φ109	φ97	G1/2	M6	M6	24.5+3.4XRingNum



Size Code Part#	A	B	C	D	E	F	G	H	J	K	Q	R	P	X	Y	L
MEPH400-01F	φ10	45°	φ51	12.5	φ40	φ60	2	77.5	9	12	φ60	φ51	M5	M5	M4	21.2+2.8XRingNum
MEPH400-02F	φ10	45°	φ61	13	φ50	φ70	2	102.5	15	12	φ70	φ61	G1/8	M5	M4	21.2+2.8XRingNum
MEPH400-03F	φ10	45°	φ75	14.5	φ60	φ85	2	129.7	18	12	φ85	φ75	G1/4	M6	M6	24.5+3.4XRingNum
MEPH400-04F	φ10	45°	φ82	14.5	φ65	φ94	2	144.5	23	12	φ94	φ82	G3/8	M6	M6	24.5+3.4XRingNum
MEPH400-05F	φ10	45°	φ97	15.5	φ80	φ109	2	162.5	10	12	φ109	φ97	G1/2	M6	M6	24.5+3.4XRingNum