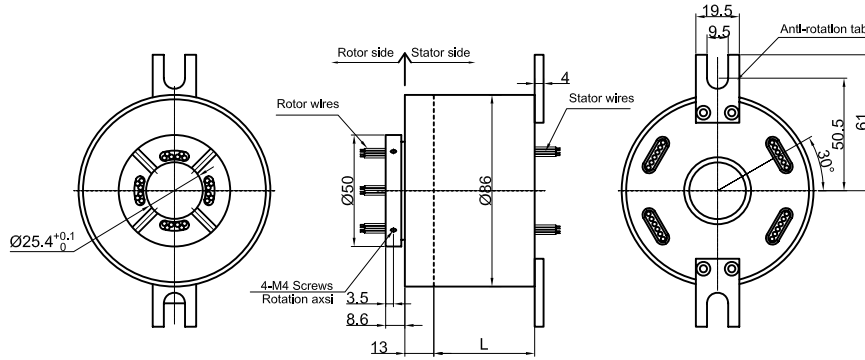
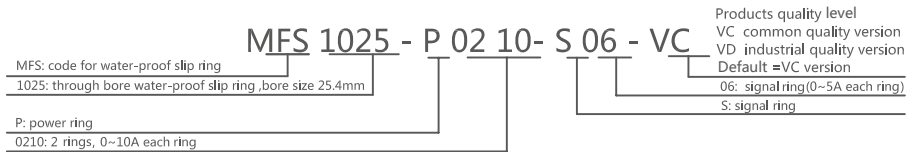


MFS1025 Series Slip Ring

- Designed specifically for underwater operation and waterproof work.
- Industrial grade products; IP65,IP68 protection grade.
- Gold-gold contact;adopting imported seals and military grade plating treatment.
- Multi-point contacts;outgoing line uses waterproof gran circle and cable.
- Can be customized on your request.



Part# Explanation



Part# List

MFS1025 Series slip ring							
Part#	Signal or 5A	10A	Length (mm)	Part#	Signal or 5A	10A	Length (mm)
MFS1025-P0610	0	6	45.2	MFS1025-S06	6	0	45.2
MFS1025-P0210-S04	4	2	45.2	MFS1025-P0410-S02	2	4	45.2
MFS1025-P1210	0	12	65.6	MFS1025-S12	12	0	65.6
MFS1025-P0210-S10	10	2	65.6	MFS1025-P0410-08	8	4	65.6
MFS1025-P06-S06	6	6	65.6	MFS1025-P0810-S04	4	8	65.6
MFS1025-P1010-S02	2	10	65.6	MFS1025-S18	18	0	86
MFS1025-P1810	0	18	86	MFS1025-P0410-S14	14	4	86
MFS1025-P0210-S16	16	2	86	MFS1025-P0810-S10	10	8	86
MFS1025-P0610-S12	12	6	86	MFS1025-P1210-S06	6	12	86
MFS1025-P1010-S08	8	10	86	MFS1025-P1610-S02	2	16	86
MFS1025-P1410-S04	4	14	86	MFS1025-S24	24	0	106.4
MFS1025-P24	0	24	106.4	MFS1025-P1210-S12	12	12	106.4
MFS1025-P0610-S18	18	6	106.4	MFS1025-P0610-S24	24	6	134
MFS1025-P1810-S06	6	18	106.4	MFS1025-S36	36	0	150.2
MFS1025-S30	30	0	126.8	MFS1025-P1210-S24	24	12	150.2
MFS1025-P1210-S18	18	12	126.8	MFS1025-P0610-S36	36	6	170.6
MFS1025-P0610-S30	30	6	150.2	MFS1025-S48	48	0	191
MFS1025-S42	42	0	170.6	MFS1025-P1210-S36	36	12	191
MFS1025-P1210-S30	30	12	170.6	MFS1025-P0610-S54	54	6	231.8
MFS1025-P0610-S42	42	6	191	MFS1025-S72	72	0	275.6
MFS1025-S60	60	0	231.8	MFS1025-P1210-S60	60	12	275.6
MFS1025-P1210-S48	48	12	231.8	MFS1025-P0610-S66	66	6	275.6

Note:N channels 10A rings parallel can be used as 1 channel N*10A current. For example: 2 rings 10A parallel could be used as 1 wires 20A

Specifications

Electrical Data		
Parameter	Value	
	Power	Signal
Rated Voltage	0~440VAC/VDC	0~440VAC/VDC
Insulation Resistance	≥1000MΩ/500VDC	≥1000MΩ/500VDC
Lead Wires	Water-proof cable	Water-proof cable
Lead Length	Standard 300mm (adjustable)	
Dielectric Strength	500VAC@50Hz , 60s	
Electrical Noise	<0.01Ω	
Mechanical Data		
Parameter	Value	
Working Life	See product quality level table	
Rotating Speed	See product quality level table	
Working Temperature	-30°C~80°C	
Operating Humidity	0~85% RH	
Contact Material	See product quality level table	
Housing Materia	aluminium alloy	
Torque	1.0N.m ; +0.03N.m/6 circuits	
Protection Grade	IP65, IP68 on request	

Product Quality Level Table

Products Level Code	Max Rotating Speed	Working Life	Contact Material
VC	100RPM	10 Million Rev	Precious Metal
VD	300RPM	40 Million Rev	Gold-Gold

Options For Custom Slip Ring

Note: Below special demands can be customized. According, the delivery date will be extended 3 to 15 days; also the cost will be increased 30% to 50%. Most of our basic parts are standard and modular, which can save the cost and lead time.

- ① Bore diameter can be customized; cable exit way and cable length can be customized for both rotor and stator.
- ② Because of the structure limitation, length/height/OD can be customized on your request.
- ③ Support current or signal up to 200 rings.
- ④ Aviation plug, terminal and heat-shrink tube are optional.
- ⑤ Hybrid slip ring for Yaskawa/Panasonic/Siemens servo control signal, power line and encoder line.
- ⑥ Support mixed high speed data transmission (including Ethernet, USB, RS232, RS485, Profibus, CanBUS, CANOPEN, DeviceNET, CC-LINK, ProfiNET, EtherCAT, etc.)
- ⑦ Can combine temperature control signal with thermocouple signal.
- ⑧ Special environment can be customized, such as quakeproof, high temperature, etc.
- ⑨ Hybrid Pneumatic/hydraulic and electric slip ring can be mixed.
- ⑩ High temperature can up to 500 degrees.
- ⑪ High pressure can up to 110KV
- ⑫ Rotating speed can up to 10000RPM
- ⑬ Maximum current can up to 5000 amperes.
- ⑭ Military grade
- ⑮ Optional for underwater IP65, IP68.
- ⑯ Optional for stainless steel housing

Technical support: technical@moflon.com