

MG060 Series

Body Diameter 60mm, Standard IP65

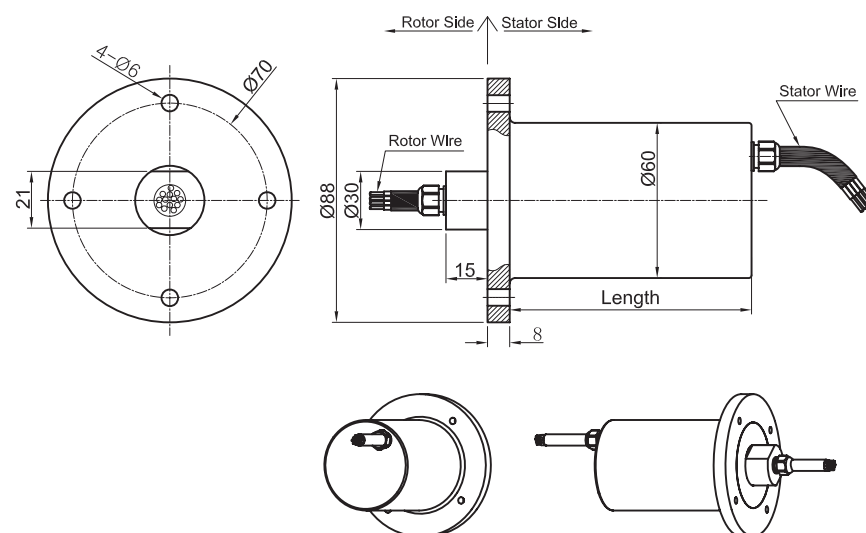
Mg060 series provides stator flange for installation or end of shaft for installation, and a compact 60mm body diameter, features long life, fiber brush contact technology for ultimate performance in many challenging applications.

MG060 series are standard, off-the-shelf products, Color-coded lead wires are used on both the stator and rotor for simplified electrical connections. It can transmit signal(2A), 10A, current at max 400VAC/VDC



Specifications			
Circuits	1~24(see next page)	Current	Signal(2A),10A/Rings
Voltage	400 VDC/VAC	Max speed	600RPM
Flange Type	Stator Flange	Overall diameter	60mm
Housing Material	Aluminium Alloy	Torque	0.5N.m+0.03N.m/6rings
Working life	>80million revolutions	Contact material	Precious Metal:Gold-Gold
Electrical noise	<5 mOhm	Contact Resistance	<2mOhm
Dielectric strength	800VDC@50Hz	Lead Wire	UL Teflon® Awg22,Awg16
Insulation resistance	1000MΩ@600VDC	Lead Lengths	300mm(12")
Operating Temp.	-40°C to 80°C	Protection	IP65. IP68 on request
Mechanical vibratio	MIL-SID-810E	Humidity	10% to 95% RH
Materials	Lead Free,RoHS compliant	Certified	YES

Drawings



Parts List

*Please note: 10A rings parallel can be used as multiple 10A current.
For Example: 2 rings parallel could be used as 1 wires 20A

MG06006 (Length=46mm)					
Parts#	Power 10A	signal/2A	Parts#	Power 10A	signal/2A
MG06006-0600	6	0	MG06006-0006	0	6
MG06006-0204	2	4	MG06006-0402	4	2

MG06012 (Length=62.8mm)					
Parts#	Power 10A	signal/2A	Parts#	Power 10A	signal/2A
MG06012-1200	12	0	MG06012-0012	0	12
MG06012-0210	2	10	MG06012-0408	4	8
MG06012-0606	6	6	MG06012-0804	8	4
MG06012-1002	10	2			

MG06018 (Length=79.5mm)					
Parts#	Power 10A	signal/2A	Parts#	Power 10A	signal/2A
MG06018-1800	18	0	MG06018-0018	0	18
MG06018-0216	2	16	MG06018-0414	4	14
MG06018-0612	6	12	MG06018-0810	8	10
MG06018-1008	10	8	MG06018-1206	12	6
MG06018-1404	14	4	MG06018-1602	16	2

MG06024 (Length=96.4mm)					
Parts#	Power 10A	signal/2A	Parts#	Power 10A	signal/2A
MG06024-2400	24	0	MG06024-0024	0	24
MG06024-0618	6	18	MG06024-1212	12	12
MG06024-1806	18	6			