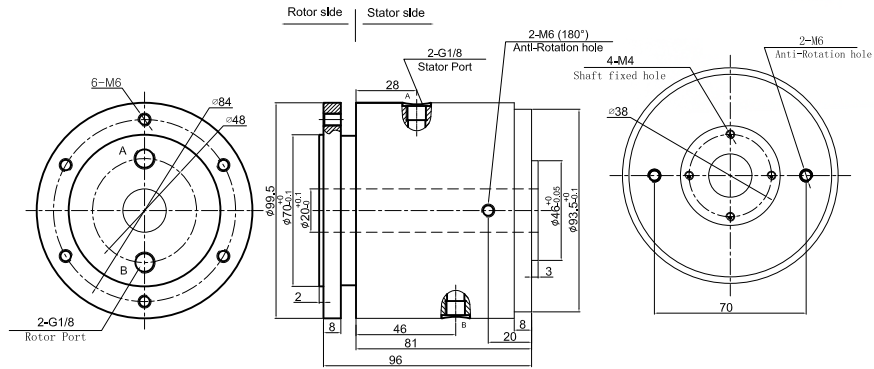
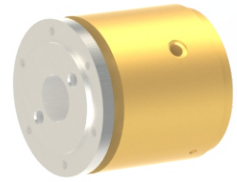
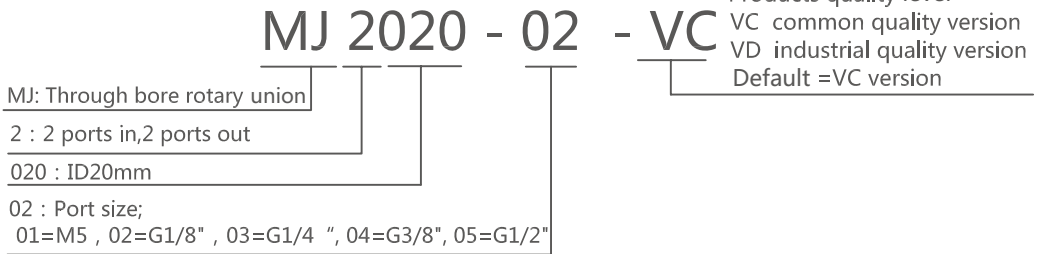


MJ2020 (ID 20mm, 2 ports in, 2 ports out)

MJ2020 is 2 passages through bore rotary union with bore size 20mm, supporting connection size G1/8 and G1/4. It can transfer media as compressed air, vacuum, hydrogen, nitrogen, steam, cooling water, hot water, oil and so on.



Part# Explanation



Part# List

MJ2020 Parts# List				
Part#	Passage	Torque(N.M)	Connection Size	ID
MJ2020-02	2 ports in, 2 ports out	3	G1/8	20mm
MJ2020-03	2 ports in, 2 ports out	4	G1/4	20mm

Specifications

Rotary joint specifications	
Parameter	Value
Passages	2 ports in, 2 ports out,
Max pressure	10MPa (can be customized) , Vacuum 0.01torr
Torque	See Part#List

Product Quality Level Table

Quality Level Table			
Products Level Code	Max Rotating Speed	Working Life	Sealing Element
VC	100RPM	10 million	Common Seals
VD	300RPM	30 million	High-Quality Seals

Options for custom slip ring

Note: it can be customized as below requirements, lead time would increase 3~15 days, price would increase 5%~50%. Most basic parts of slip ring are standard and modularized, which saved costs and lead time.

- 1 Port size
- 4 Through bore size
- 2 Pressure
- 5 Corrosive media, all stainless steel, anti-explosion, high temp etc
- 3 Rotating speed
- 6 Can combine with electrical slip ring

technical support: technical@moflon.com