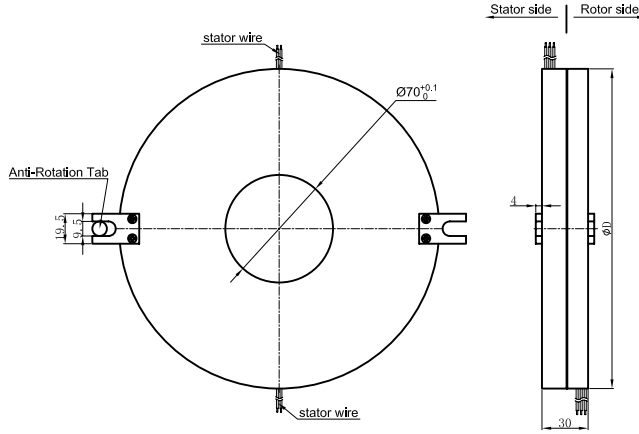


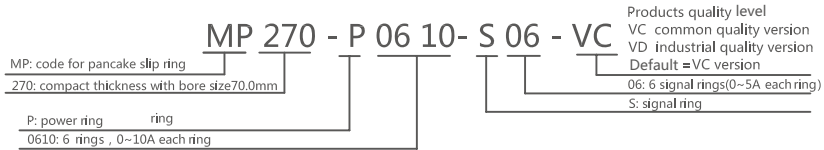
MP270 Series Pancake Slip Ring

MP270 pancake slip ring has a thickness of 30mm, through bore size is 70mm, all aluminum alloy structure, using precious metal contact material and gold-plated processing. It can transmit stable signal and power with small resistance fluctuations.

Designed for min thickness requirements, when thickness is limitative but diameter is no limitative.



Explanation



Part# list

MP270 series pancake slip ring				
Parts#	Signal (5A)	10A	20A	ΦD (mm)
MP270-S02	2	0	0	152
MP270-P0210	0	2	0	152
MP270-P0210-S02	2	2	0	168
MP270-P0410	0	4	0	168
MP270-S06	6	0	0	184
MP270-P0610	0	6	0	184
MP270-P0620	0	0	6	184
MP270-P0210-S04	4	2	0	184
MP270-S12	12	0	0	232
MP270-P1210	0	12	0	232
MP270-P1220	0	0	12	232
MP270-P0610-S06	6	6	0	232
MP270-P0620-S06	6	0	6	232
MP270-S18	18	0	0	280
MP270-P1810	0	18	0	280
MP270-P0610-S12	12	6	0	280
MP270-P1210-S06	6	12	0	280
MP270-P0810-S10	10	8	0	280
MP270-S24	24	0	0	328
MP270-P2410	0	24	0	328
MP270-P0610-S18	18	6	0	328
MP270-P1210-S12	12	12	0	328
MP270-S36	36	0	0	424
MP270-S48	48	0	0	520

Note:1) N channels 10A rings parallel can be used as 1 channel N*10A current. For example: 2 rings 10A parallel could be used as 1 wires 20A
 2) Through bore size, total circuits and current can be customized, please contact sales for more details.

Specifications

Electrical Data	
Parameter	Value
	Power
Rated Voltage	0~440VAC/VDC
Insulation Resistance	≥1000MΩ/500VDC
Lead Wire	AWG16#Teflon
Lead Length	Standard 300mm (adjustable)
Dielectric Strength	500VAC@50Hz , 60s
Electrical Noise	<0.01Ω
	Signal
	0~240VAC/VDC
	≥1000MΩ/500VDC
	AWG22#Teflon
Mechanical Data	
Parameter	Value
Working Life	See product quality level table
Rotating Speed	See product quality level table
Working Temperature	-30°C~80°C
Operating Humidity	0~85% RH
Contact Material	See product quality level table
Housing Material	aluminium alloy
Torque	0.05N.m ; +0.03N.m/6rings
Protection Grade	IP51

Product Quality Level Table

Products Level Code	Max Rotating Speed	Working Life	Contact Material
VC	60RPM	3 million revs	Precious Metal
VD	200RPM	10 million revs	Gold-plated

Lead Wires Color Code

Ring	1	2	3	4	5	6	7	8	9	10	11	12
Color	BLK	RED	YEL	GRN	BLU	WHT	BLK	RED	YEL	GRN	BLU	WHT

Note : 6 wires for 1 group color, from 7-12, repeat the same color as 1...6, indicated with number code pipe.