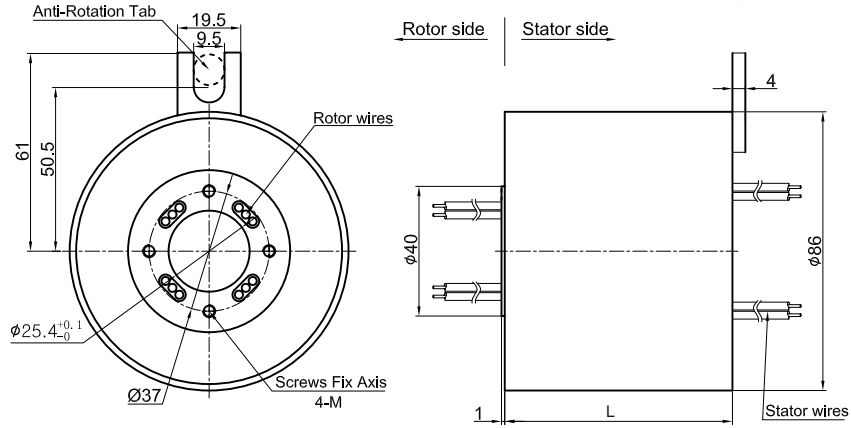
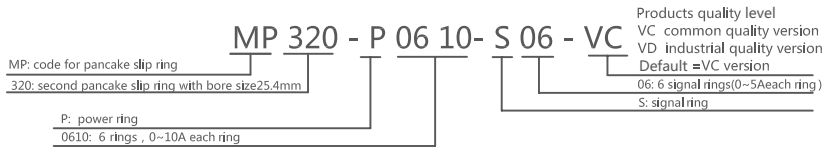


MP320 Series Pancake Slip Ring

MP320 second pancake slip ring, through bore size is 25.4mm, all aluminum alloy structure, using precious metal contact material and gold-plated processing. It can transmit stable signal and power with small resistance fluctuations. It's mainly applied to those applications with transverse space limit but with no height space limit.



Explanation



Part# list

MP320 series pancake slip ring				
Parts#	Signal (5A)	10A	20A	Length(mm)
MP320-S02	2	0	0	17.1
MP320-P0210	0	2	0	17.1
MP320-P0210-S02	2	2	0	23.9
MP320-P0410	0	4	0	23.9
MP320-S06	6	0	0	30.7
MP320-P0610	0	6	0	30.7
MP320-P0620	0	0	6	30.7
MP320-P0210-S04	4	2	0	30.7
MP320-S12	12	0	0	51.1
MP320-P1210	0	12	0	51.1
MP320-P1220	0	0	12	51.1
MP320-P0610-S06	6	6	0	51.1
MP320-P0620-S06	6	0	6	51.1
MP320-S18	18	0	0	71.5
MP320-P1810	0	18	0	71.5
MP320-P0610-S12	12	6	0	71.5
MP320-P1210-S06	6	12	0	71.5
MP320-P0810-S10	10	8	0	71.5
MP320-S24	24	0	0	91.9
MP320-P2410	0	24	0	91.9
MP320-P0610-S18	18	6	0	91.9
MP320-P1210-S12	12	12	0	91.9

Note:1) N channels 10A rings parallel can be used as 1 channel N*10A current. For example: 2 rings 10A parallel could be used as 1 wires 20A
2) Through bore size, total circuits and current can be customized, please contact sales for more details.

Specifications

Electrical Data	
Parameter	Value
	Power
Rated Voltage	0~440VAC/VDC
Insulation Resistance	≥1000MΩ/500VDC
Lead Wire	AWG16#Teflon
Lead Length	Standard 300mm (adjustable)
Dielectric Strength	500VAC@50Hz , 60s
Electrical Noise	<0.01Ω
	Signal
	0~240VAC/VDC
	≥1000MΩ/500VDC
	AWG22#Teflon
Mechanical Data	
Parameter	Value
Working Life	See product quality level table
Rotating Speed	See product quality level table
Working Temperature	-30°C~80°C
Operating Humidity	0~85% RH
Contact Material	See product quality level table
Housing Material	aluminium alloy
Torque	0.05N.m ; +0.03N.m/6rings
Protection Grade	IP51

Product Quality Level Table

Products Level Code	Max Rotating Speed	Working Life	Contact Material
VC	60RPM	3 million revs	Precious Metal
VD	200RPM	10 million revs	Gold-plated

Lead Wires Color Code

Ring	1	2	3	4	5	6	7	8	9	10	11	12
Color	BLK	RED	YEL	GRN	BLU	WHT	BLK	RED	YEL	GRN	BLU	WHT

Note : 6 wires for 1 group color, from 7-12, repeat the same color as 1...6, indicated with number code pipe.