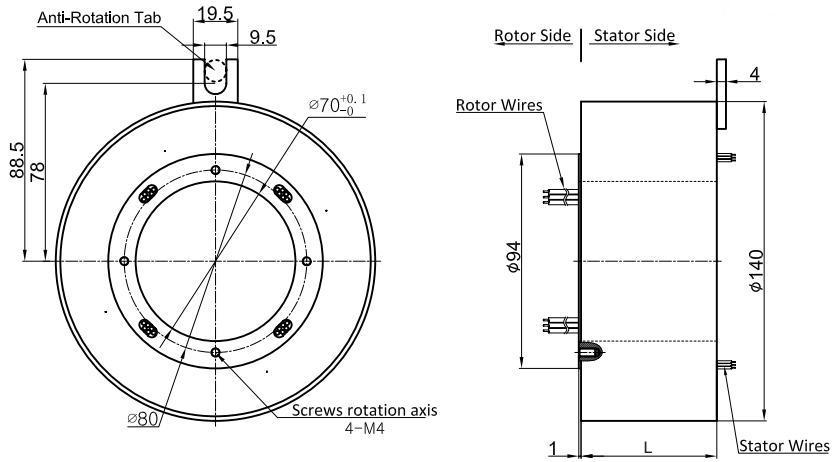
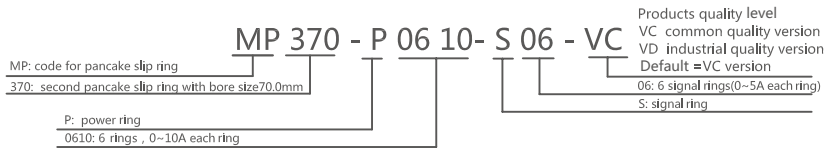


MP370 series pancake slip ring

MP370 second pancake slip ring, through bore size is 70mm, all aluminum alloy structure, using precious metal contact material and gold-plated processing. It can transmit stable signal and power with small resistance fluctuations. It's mainly applied to those applications with transverse space limit but with no height space limit.



Explanation



Part list

MP370 series pancake slip ring				
Parts#	Signal (5A)	10A	20A	Length(mm)
MP370-S02	2	0	0	17.5
MP370-P0210	0	2	0	17.5
MP370-P0210-S02	2	2	0	23.5
MP370-P0410	0	4	0	23.5
MP370-S06	6	0	0	29.5
MP370-P0610	0	6	0	29.5
MP370-P0620	0	0	6	29.5
MP370-P0210-S04	4	2	0	29.5
MP370-S12	12	0	0	47.5
MP370-P1210	0	12	0	47.5
MP370-P1220	0	0	12	47.5
MP370-P0610-S06	6	6	0	47.5
MP370-P0620-S06	6	0	6	47.5
MP370-S18	18	0	0	65.5
MP370-P1810	0	18	0	65.5
MP370-P0610-S12	12	6	0	65.5
MP370-P1210-S06	6	12	0	65.5
MP370-P0810-S10	10	8	0	65.5
MP370-S24	24	0	0	83.5
MP370-P2410	0	24	0	83.5
MP370-P0610-S18	18	6	0	83.5
MP370-P1210-S12	12	12	0	83.5

Note:1) N channels 10A rings parallel can be used as 1 channel N*10A current. For example: 2 rings 10A parallel could be used as 1 wires 20A
 2) Through bore size, total circuits and current can be customized, please contact sales for more details.

Specifications

Electrical Data		
Parameter	Value	
	Power	Signal
Rated Voltage	0~440VAC/VDC	0~240VAC/VDC
Insulation Resistance	≥1000MΩ/500VDC	≥1000MΩ/500VDC
Lead Wire	AWG16#Teflon	AWG22#Teflon
Lead Length	Standard 300mm (adjustable)	
Dielectric Strength	500VAC@50Hz , 60s	
Electrical Noise	<0.01Ω	
Mechanical Data		
Parameter	Value	
Working Life	See product quality level table	
Rotating Speed	See product quality level table	
Working Temperature	-30°C~80°C	
Operating Humidity	0~85% RH	
Contact Material	See product quality level table	
Housing Materia	aluminium alloy	
Torque	0.1N.m ; +0.03N.m/6rings	
Protection Grade	IP51	

Product Quality Level Table

Products Level Code	Max Rotating Speed	Working Life	Contact Material
VC	60RPM	3 million revs	Precious Metal
VD	200RPM	10 million revs	Gold-plated

Lead Wires Color Code

Ring	1	2	3	4	5	6	7	8	9	10	11	12
Color	BLK	RED	YEL	GRN	BLU	WHT	BLK	RED	YEL	GRN	BLU	WHT

Note : 6 wires for 1 group color, from 7-12, repeat the same color as 1...6, indicated with number code pipe.