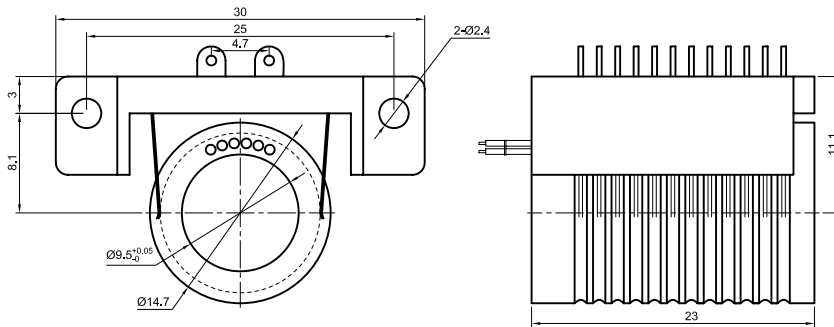


# MSP112 Separated Slip Rings

## 12 rings\*2A



MSP112 separated slip ring is a type of minitype slip rings. It adopts a separated rotor and contact brushes combination, supporting 12 wires for signal or 2A. The exiting wires in stator and rotor are correspondingly six colored wires, it can simplify the electrical connection. The 90-degree angle V-groove design has the characteristics of smooth rotation, low torque and low electrical noise, which can exceed ordinary slip ring products.



MSP1129 is the highest-end version of MSP112, which is used for military, aerospace, etc., differences as below

Parts#	Max working speed	Working life	Torque	Electrical noise①@10Rpm
MSP112	250RPM	20 million	0.02 N•m	10mΩ
MSP1129	1000RPM	100 million	0.005 N•m	4mΩ

### Part# Explanation

MSP112 Part# Explanation		
Parts#	Signal or 2A	Products Level
MSP112	12	Common quality
MSP1129	12	High-end quality

Note: N channels 2A rings parallel can be used as 1 channel N\*2A current. For example: 2 rings 2A parallel could be used as 1 wires 4A

### Specifications

Electrical Data			Mechanical Data	
Parameter	Value		Parameter	Value
	Power	Signal	Working Temperature	-30°C~80°C
Rated Voltage	0~240VAC/VD	0~240VAC/VDC	Operating Humidity	0~85% RH
Insulation Resistance	≥1000MΩ/500VDC	≥1000MΩ/500VDC	Contact Material	Gold-Gold
Lead Wires	AWG26#Teflon	AWG26#Teflon	Torque	IP41
Lead Length	Standard 300mm ( adjustable )			
Dielectric Strength	500VAC@50Hz , 60s			
Electrical Noise	<0.01Ω			

### Lead Wires Color Code

Ring	1	2	3	4	5	6	7	8	9	10	11	12
Code	BLK	RED	YLW	GRN	BLU	WHT	BLK	RED	YLW	GRN	BLU	WHT

Note: 6 wires for 1 group color, from 7-12, repeat the same color as 1...6, indicated with number code pipe.