

MT012 Series

Through bore 12.7mm(1/2"), Overall Diameter: 56mm

Mt012 series provides a 12.7mm(1/2") through-bore for routing of hydraulic or pneumatic lines or hydraulic or pneumatic rotating shaft installation, and a compact 56mm outside diameter, features long life, fiber brush contact technology for ultimate performance in many challenging applications.

MT012 series are standard, off-the-shelf products, Color-coded lead wires are used on both the stator and rotor for simplified electrical connections. It can transmit signal(2A), 10A, multiple 10A current at max 440VAC/VDC



Specifications

Circuits	2~48(see next page)	Current	Signal(2A),10A
Voltage	440 VDC/VAC	Max speed	1000RPM
Through bore size	12.7mm(1/2")	Overall diameter	56mm(2.2")
Housing Material	Aluminium Alloy	Torque	0.05N.m; +0.03N.m/6rings
Working life	depends on working speed	Contact material	Precious Metal:Gold-Gold
Electrical noise	<5mOhm	Contact Resistance	<2mOhm
Dielectric strength	800VDC@50Hz	Lead Wire	UL Teflon® Awg22,Awg16
Insulation resistance	1000MΩ@600VDC	Lead Lengths	300mm(12")
Operating Temp.	-40°C to 80°C	Protection	IP51
Mechanical vibratio	MIL-SID-810E	Humidity	10% to 85% RH
Materials	Lead Free,RoHS compliant	Certified	YES

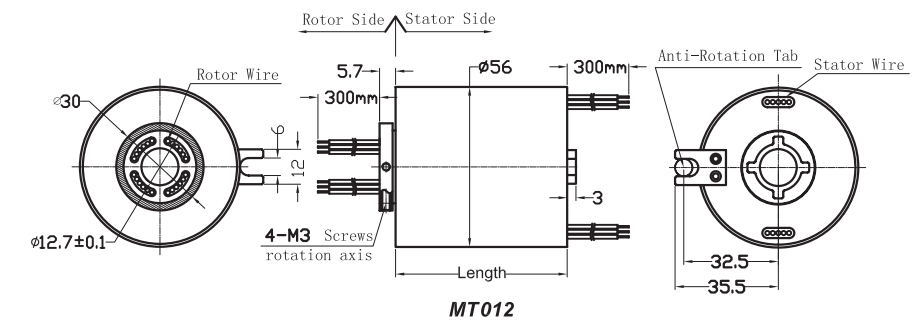
Lead wire Color codes

Rings#	Color Code	Rings#	Color Code	Rings#	Color Code
1	BLK	5	YEL	9	GRY
2	BRN	6	GRN	10	WHT
3	RED	7	BLU	11	PINK
4	ORN	8	PURPLE	12	AZURY

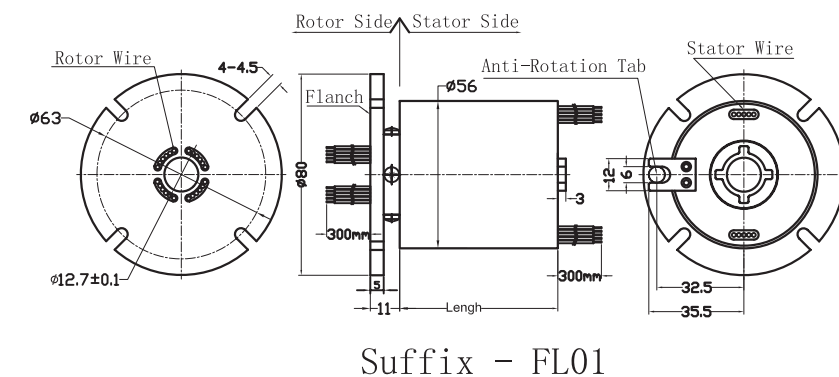
12 wires for one group color. from 13 ... 24, repeat the same color as 1 ... 12, Color Goups are indicated with number code pipe.

Drawings

Standard drawings:

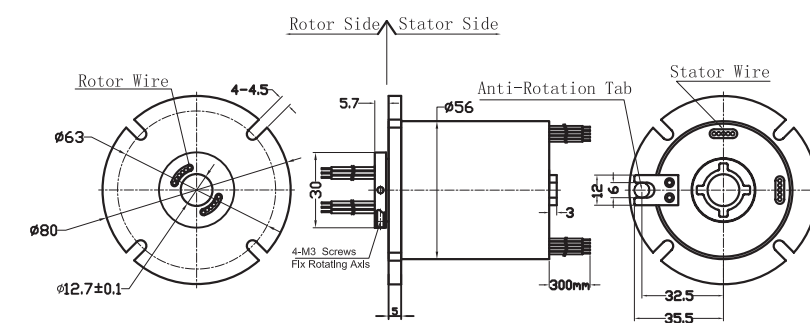


Optional FI01 Rotor Flanges drawings:



Suffix - FL01

Optional FI02 Stator Flanges drawings:



Suffix - FL02

MT012 - MT SERIES

MT012 - MT SERIES

Parts List

*Please note: 10A rings parallel can be used as multiple 10A current.
For Example: 2 rings parallel could be used as 1 wires 20A

MT01202 (Length=26.8mm)					
Parts#	Power 10A	signal/2A	Parts#	Power 10A	signal/2A
MT01202-0200	2	0	MT01202-0002	0	2

MT01203 (Length=29.6mm)					
Parts#	Power 10A	signal/2A	Parts#	Power 10A	signal/2A
MT01203-0300	3	0	MT01203-0003	0	3
MT01203-0102	1	2	MT01203-0201	2	1

MT01206 (Length=38mm)					
Parts#	Power 10A	signal/2A	Parts#	Power 10A	signal/2A
MT01206-0600	6	0	MT01206-0006	0	6
MT01206-0204	2	4	MT01206-0402	4	2

MT01212 (Length=54.8mm)					
Parts#	Power 10A	signal/2A	Parts#	Power 10A	signal/2A
MT01212-1200	12	0	MT01212-0012	0	12
MT01212-0210	2	10	MT01212-0408	4	8
MT01212-0606	6	6	MT01212-0804	8	4
MT01212-1002	10	2			

MT01218 (Length=71.5mm)					
Parts#	Power 10A	signal/2A	Parts#	Power 10A	signal/2A
MT01218-1800	18	0	MT01218-0018	0	18
MT01218-0216	2	16	MT01218-0414	4	14
MT01218-0612	6	12	MT01218-0810	8	10
MT01218-1008	10	8	MT01218-1206	12	6
MT01218-1404	14	4	MT01218-1602	16	2

MT01224 (Length=88.4mm)					
Parts#	Power 10A	signal/2A	Parts#	Power 10A	signal/2A
MT01224-2400	24	0	MT01224-0024	0	24
MT01224-0618	6	18	MT01224-1212	12	12
MT01224-1806	18	6			

MT01230 (Length=105mm)					
Parts#	Power 10A	signal/2A	Parts#	Power 10A	signal/2A
MT01230-3000	30	0	MT01230-0030	0	30
MT01230-0624	6	24	MT01230-1218	12	18
MT01230-1812	18	12	MT01230-2406	24	6

MT01236 (Length=122mm)					
Parts#	Power 10A	signal/2A	Parts#	Power 10A	signal/2A
MT01236-3600	36	0	MT01236-0036	0	36
MT01236-0630	6	30	MT01236-1224	12	24
MT01236-1818	18	18	MT01236-2412	24	12
MT01236-3006	30	6			

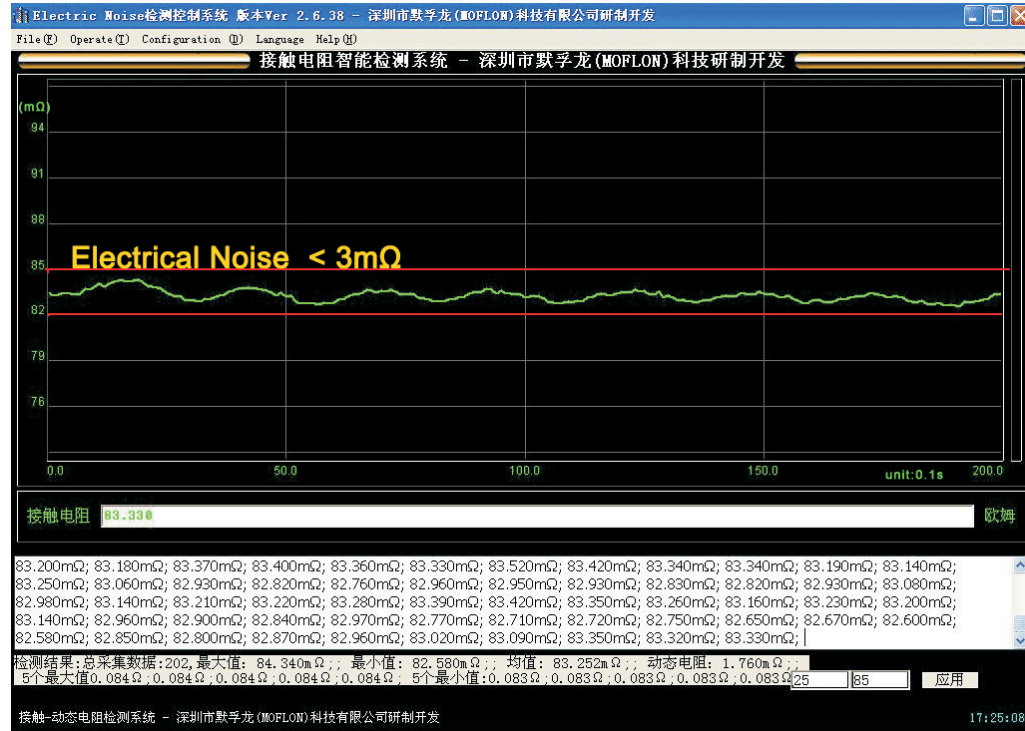
MT01242 (Length=138.8mm)					
Parts#	Power 10A	signal/2A	Parts#	Power 10A	signal/2A
MT01242-4200	42	0	MT01242-0042	0	42
MT01242-0636	6	36	MT01242-1230	12	30
MT01242-1824	18	24	MT01242-2418	24	18
MT01242-3012	30	12	MT01242-3606	36	6

MT01248 (Length=155.6mm)					
Parts#	Power 10A	signal/2A	Parts#	Power 10A	signal/2A
MT01248-4800	48	0	MT01248-0048	0	48
MT01248-0642	6	42	MT01248-1236	12	36
MT01248-1830	18	30	MT01248-2424	24	24
MT01248-3018	30	18	MT01248-3612	36	12
MT01248-4206	42	6			

*Please note: 10A rings parallel can be used as multiple 10A current.
For Example: 2 rings parallel could be used as 1 wires 20A

Electrical Noise Test System

Slip Rings Assembly Work Shop



Working life Test System

