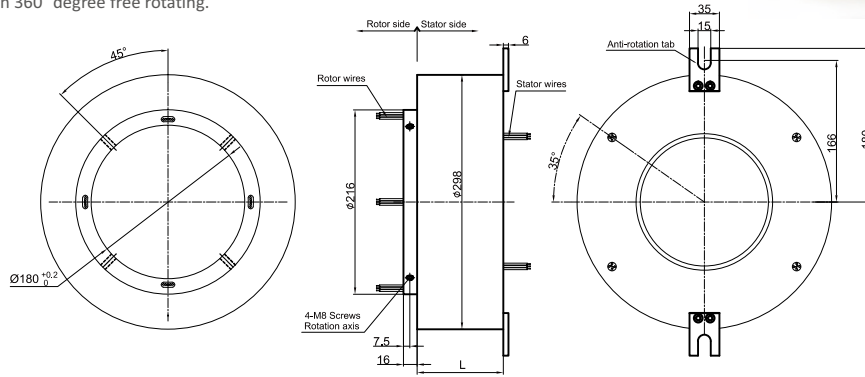
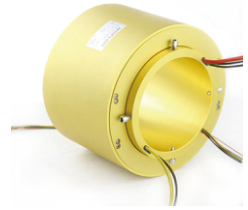
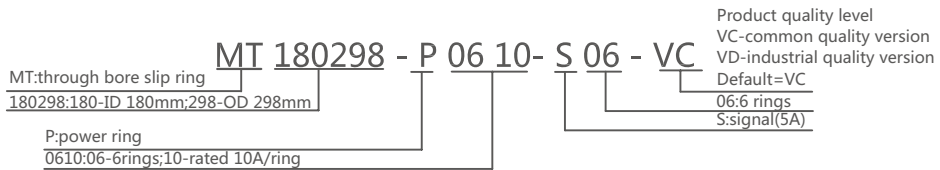


# MT180298 Series

MT180298 series provides a 180mm through-bore for routing of hydraulic or pneumatic lines or hydraulic or pneumatic rotating shaft installation, and a compact 298mm outside diameter, features long life, fiber brush contact technology for ultimate performance in many challenging applications. MT180298 series are standard, off-the-shelf products, Color-coded lead wires are used on both the stator and rotor for simplified electrical connections. It can transmit signal(2A), 10A, multiple 10A current when 360° degree free rotating.



## Part# Explanation



## Part# List

MT180298 Series Parts# List							
Part#	10A	Signal or 5A	Length-L (mm)	Part#	10A	Signal or 5A	Length-L (mm)
MT180298-S02	0	2	77	MT180298-S36	0	36	287
MT180298-P0210	2	0	77	MT180298-P0610-S30	6	30	287
MT180298-S03	0	3	83	MT180298-P1210-S24	12	24	287
MT180298-P0310	3	0	83	MT180298-P3610	36	0	287
MT180298-S06	0	6	101	MT180298-S42	0	42	323
MT180298-P0210-S04	2	4	101	MT180298-P0610-S36	6	36	323
MT180298-P0410-S02	4	2	101	MT180298-P1210-S30	12	30	323
MT180298-P0610	6	0	101	MT180298-S48	0	48	359
MT180298-S12	0	12	137	MT180298-P0610-S42	6	42	359
MT180298-P0210-S10	2	10	137	MT180298-P0910-S39	9	39	359
MT180298-P0310-S09	3	9	137	MT180298-P1210-S36	12	36	359
MT180298-P0610-S06	6	6	137	MT180298-P1810-S30	18	30	359
MT180298-P0810-S04	8	4	137	MT180298-P2410-S24	24	24	359
MT180298-P1010-S02	10	2	137	MT180298-S60	0	60	431
MT180298-P1210	12	0	137	MT180298-P0610-S54	6	54	431
MT180298-S18	0	18	173	MT180298-P0910-S51	9	51	431
MT180298-P0210-S16	2	16	173	MT180298-P1210-S48	12	48	431
MT180298-P0410-S14	4	14	173	MT180298-S72	0	72	509
MT180298-P0610-S12	6	12	173	MT180298-P0610-S66	6	66	509
MT180298-P0810-S10	8	10	173	MT180298-P1210-S60	12	60	509
MT180298-P1010-S08	10	8	173	MT180298-P2410-S48	24	48	509
MT180298-P1210-S06	12	6	173	MT180298-P3610-S36	36	36	509
MT180298-P1410-S04	14	4	173	MT180298-S84	0	84	581
MT180298-P1610-S02	16	2	173	MT180298-P1210-S72	12	72	581
MT180298-S24	0	24	209	MT180298-P2410-S60	24	60	581
MT180298-P0410-S20	4	20	209	MT180298-P3610-S48	36	48	581
MT180298-P0610-S18	6	18	209	MT180298-S96	0	96	653
MT180298-P1210-S12	12	12	209	MT180298-P1210-S84	12	84	653
MT180298-P1810-S06	18	6	209	MT180298-P2410-S72	24	72	653
MT180298-P2410	24	0	209	MT180298-P3610-S60	36	60	653
MT180298-S30	0	30	245	MT180298-P4210-S54	42	54	653
MT180298-P0610-S24	6	24	245	MT180298-S108	0	108	731
MT180298-P1210-S18	12	18	245	MT180298-P1210-S96	12	96	731
MT180298-P1810-S12	18	12	245	MT180298-P2410-S84	24	84	731
MT180298-P2410-S06	24	6	245	MT180298-P3610-S72	36	72	731
MT180298-P3010	30	0	245	MT180298-P4810-S60	48	60	731

Note: N channels 10A rings parallel can be used as 1 channel N\*10A current. For example: 2 rings 10A parallel could be used as 1 wires 20A. 10A,5A (signal) can combine freely in any way.It can be customized based on standard slip ring,please contact customer service for more details.

## Specifications

Electrical Data			
Parameter	Value		
	Power	Signal	
Rated Voltage	0~690VAC/VDC	0~440VAC/VDC	
Insulation Resistance	≥1000MΩ/500VDC	≥1000MΩ/500VDC	
Lead Wires	AWG16#Teflon	AWG22#Teflon	
Lead Length	Standard 300mm(adjustable)		
Insulation Strength	1000VAC@50Hz , 60s		
Electrical Noise	<0.01Ω		
Mechanical Data			
Parameter	Value		
Working Life	See Product Quality Level Table		
Rotating Speed	See Product Quality Level Table		
Working Temperature	-30°C~80°C		
Operating Humidity	0~85% RH		
Contact Material	See Product Quality Level Table		
Housing Material	Aluminium Alloy		
Torque	0.1N.m ; +0.03N.m/6rings		
Protection Grade	IP51		

## Product Quality Level Table

Products Level Code	Max Rotating Speed	Working Life	Contact Material
VC	150RPM	10 Million Revs	Precious Metal
VD	250RPM	20 Million Revs	Gold-plated

## Lead Wires Color Code

Ring	1	2	3	4	5	6	7	8	9	10	11	12
Color	BLK	RED	YEL	GRN	BLU	WHT	BLK	RED	YEL	GRN	BLU	WHT

(6 wires for 1 group color, from 7-12, repeat the same color as 1...6, indicated with number code pipe)

## Options For Custom Slip Ring

Note: Below special demands can be customized. According, the delivery date will be extended 3 to 15 days; also the cost will be increased 30% to 50%. Most of our basic parts are standard and modular, which can save the cost and lead time.

- ① Cable exit way and cable length can be customized for both rotor and stator.
- ② Because of the structure limitation, length/height/OD can be customized on your request.
- ③ Support current or signal up to 200 rings.
- ④ Aviation plug, terminal and heat-shrink tube are optional.
- ⑤ Hybrid slip ring for Yaskawa/Panasonic/Siemens servo control signal, power line and encoder line.
- ⑥ Support mixed high speed data transmission (including Ethernet, USB, RS232, RS485, Profibus, CanBUS, CANOPEN, DeviceNET, CC-LINK, ProfiNET, EtherCAT, etc.)
- ⑦ Can combine temperature control signal with thermocouple signal.
- ⑧ Special environment can be customized, such as quakeproof, high temperature, etc.
- ⑨ Hybrid Pneumatic/hydraulic and electric slip ring can be mixed.
- ⑩ High temperature can up to 500 degrees.
- ⑪ High pressure can up to 110KV
- ⑫ Rotating speed can up to 10000RPM
- ⑬ Maximum current can up to 5000 amperes.
- ⑭ Military grade
- ⑮ Optional for underwater IP65, IP68.
- ⑯ Optional for stainless steel housing

Technical support: [technical@moflon.com](mailto:technical@moflon.com)