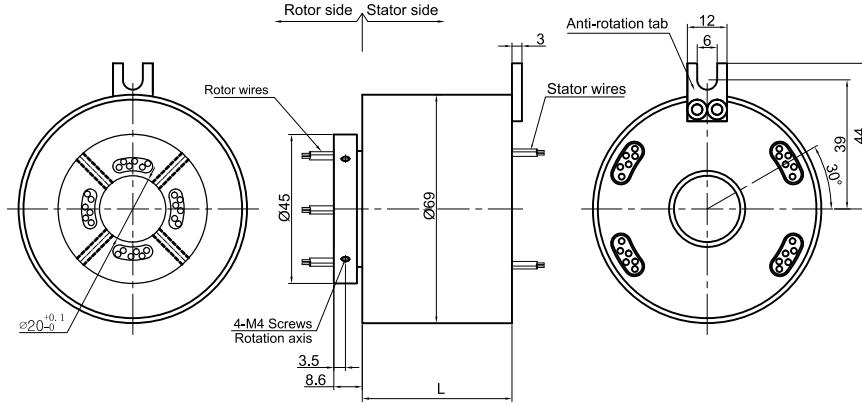
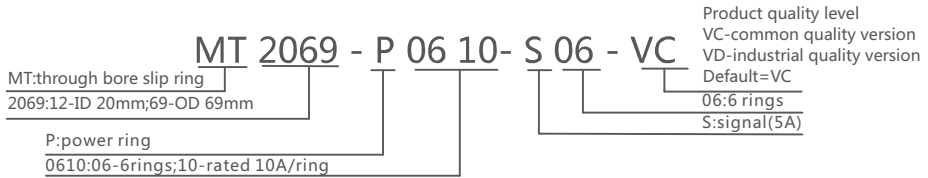


MT2069 Series

MT2069 series provides a 20mm through-bore for routing of hydraulic or pneumatic lines or hydraulic or pneumatic rotating shaft installation, and a compact 69mm outside diameter, features long life, fiber brush contact technology for ultimate performance in many challenging applications. MT2069 series are standard, off-the-shelf products, Color-coded lead wires are used on both the stator and rotor for simplified electrical connections. It can transmit signal(2A), 10A, multiple 10A current when 360° degree free rotating.



Part# Explanation



Part# List

MT2069 Series Parts# List							
Part#	10A	Signal or 5A	Length-L (mm)	Part#	10A	Signal or 5A	Length-L (mm)
MT2069-S02	0	2	31.6	MT2069-P1010-S08	10	8	86
MT2069-P0210	2	0	31.6	MT2069-P1210-S06	12	6	86
MT2069-S03	0	3	35	MT2069-P1410-S04	14	4	86
MT2069-P0310	3	0	35	MT2069-P1610-S02	16	2	86
MT2069-S06	0	6	45.2	MT2069-S24	0	24	106.4
MT2069-P0210-S04	2	4	45.2	MT2069-P0410-S20	4	20	106.4
MT2069-P0410-S02	4	2	45.2	MT2069-P0610-S18	6	18	106.4
MT2069-P0610	6	0	45.2	MT2069-P1210-S12	12	12	106.4
MT2069-S12	0	12	65.6	MT2069-P1810-S06	18	6	106.4
MT2069-P0210-S10	2	10	65.6	MT2069-P2410	24	0	106.4
MT2069-P0310-S09	3	9	65.6	MT2069-S30	0	30	126.8
MT2069-P0610-S06	6	6	65.6	MT2069-P0210-S28	2	28	126.8
MT2069-P0810-S04	8	4	65.6	MT2069-P0410-S26	4	26	126.8
MT2069-P1010-S02	10	2	65.6	MT2069-P0610-S24	6	24	126.8
MT2069-P1210	12	0	65.6	MT2069-S36	0	36	150.2
MT2069-S18	0	18	86	MT2069-P0410-S32	4	32	150.2
MT2069-P0210-S16	2	16	86	MT2069-P0610-S30	6	30	150.2
MT2069-P0410-S14	4	14	86	MT2069-S42	0	42	170.6
MT2069-P0610-S12	6	12	86	MT2069-P0410-S38	4	38	191
MT2069-P0810-S10	8	10	86	MT2069-S48	0	48	191

Note: N channels 10A rings parallel can be used as 1 channel N*10A current. For example: 2 rings 10A parallel could be used as 1 wires 20A. 10A,5A (signal) can combine freely in any way.It can be customized based on standard slip ring,please contact customer service for more detmalls.

Specifications

Electrical Data		
Parameter	Value	
	Power	Signal
Rated Voltage	0~440VAC/VDC	0~440VAC/VDC
Insulation Resistance	≥1000MΩ/500VDC	≥1000MΩ/500VDC
Lead Wires	AWG16#Teflon	AWG22#Teflon
Lead Length	Standard 300mm(adjustable)	
Insulation Strength	800VAC@50Hz , 60s	
Electrical Noise	<0.01Ω	
Mechanical Data		
Parameter	Value	
Working Life	See Product Quality Level Table	
Rotating Speed	See Product Quality Level Table	
Working Temperature	-30°C~80°C	
Operating Humidity	0~85% RH	
Contact Material	See Product Quality Level Table	
Housing Material	Aluminium Alloy	
Torque	0.1N.m ; +0.03N.m/6rings	
Protection Grade	IP51	

Product Quality Level Table

Products Level Code	Max Rotating Speed	Working Life	Contact Material
VC	250RPM	20 Million Revs	Precious Metal
VD	600RPM	80 Million Revs	Gold-plated
VH	1000RPM	150 Million Revs	Gold-Gold

Lead Wires Color Code

Ring	1	2	3	4	5	6	7	8	9	10	11	12
Color	BLK	RED	YEL	GRN	BLU	WHT	BLK	RED	YEL	GRN	BLU	WHT

(6 wires for 1 group color, from 7-12, repeat the same color as 1...6, indicated with number code pipe)

Options For Custom Slip Ring

Note: Below special demands can be customized. According, the delivery date will be extended 3 to 15 days; also the cost will be increased 30% to 50%. Most of our basic parts are standard and modular, which can save the cost and lead time.

- ① Cable exit way and cable length can be customized for both rotor and stator.
- ② Because of the structure limitation, length/height/OD can be customized on your request.
- ③ Support current or signal up to 200 rings.
- ④ Aviation plug, terminal and heat-shrink tube are optional.
- ⑤ Hybrid slip ring for Yaskawa/Panasonic/Siemens servo control signal, power line and encoder line.
- ⑥ Support mixed high speed data transmission (including Ethernet, USB, RS232, RS485, Profibus, CanBUS, CANOPEN, DeviceNET, CC-LINK, ProfiNET, EtherCAT, etc.)
- ⑦ Can combine temperature control signal with thermocouple signal.
- ⑧ Special environment can be customized, such as quakeproof, high temperature, etc.
- ⑨ Hybrid Pneumatic/hydraulic and electric slip ring can be mixed.
- ⑩ High temperature can up to 500 degrees.
- ⑪ High pressure can up to 110KV
- ⑫ Rotating speed can up to 10000RPM
- ⑬ Maximum current can up to 5000 amperes.
- ⑭ Military grade
- ⑮ Optional for underwater IP65, IP68.
- ⑯ Optional for stainless steel housing

Technical support: technical@moflon.com