

# MW1315 Slip Rings

**OD 22mm(0.87"), Length 40mm(1.57),3wires\*15A**

MW1315 slip rings are small and compact with OD 22.00mm \* L 40mm, standard, off-the-shelf. Color-coded lead wires are used on both the stator and rotor for simplified electrical connections. Using a 90° V-groove ring design for each ring. It can transmit 15A current at max 400VAC/VDC



## Specifications

PART #	OD(MM)*LENGTH	CURRENT	TOTAL WIRES
MW1315	22.00MM*40MM	15A each @ 3wires	3wires

### Shared Specifications

Wires	Max(see table as above)	Current	15A
Voltage	400 VDC/VAC	Max speed	250RPM
Overall diameter	22mm(0.87")	Length	40mm(0.75")
Contact Material	Precious Metal:gold-gold	Contact Resistance	<100mOhm(AWG16#,250mm)
Housing Material	Plastics	Torque	0.02N.m
Working life	40million	Electrical noise	<10mΩ
Dielectric strength	600VDC@50Hz	Lead Wire	UL Teflon® Awg16
Insulation resistance	1000MΩ@500VDC	Lead Lengths	250mm
Operating Temp.	-40°C to 80°C	Protection	IP51
Mechanical vibration	MIL-SID-810E	Humidity	10% to 90% RH
Materials	Lead Free,RoHS compliant	CE Certified	YES

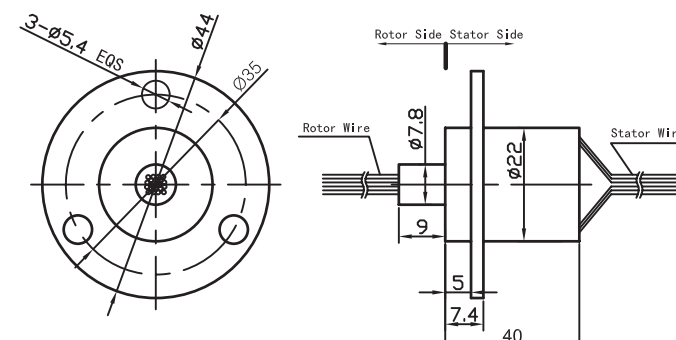
Notes:

- 1)The operational life of the unit is dependent upon rotational speed, environment and temperature.
- 2)Electrical noise is dependent upon the rotating speed and current,voltage.

Mw1315 is the high-end version corresponding to MW1315, See difference as below:

	Max Spee	Working life (revolutions)	Torque	Housing Material	Electrical noise③
MW1308	250RPM	40million	0.06N·m	Plastics	10mΩ
MW13089	1000RPM	80million	0.01N·m	Metal	4mΩ

## Drawings



MW1315

### Lead wire Color codes

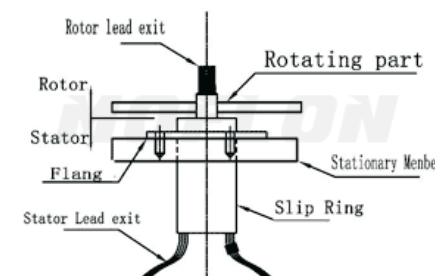
Rings#	Color Code				
1	RED				
2	BLK				
3	YELLOW				

## Options

- Longer lead lengths available.
- Specified connectors and Heat-shrink tube.

## How to install?

picture A



picture B

