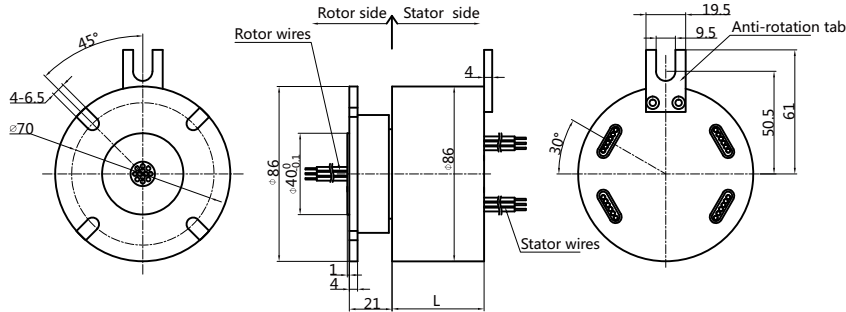
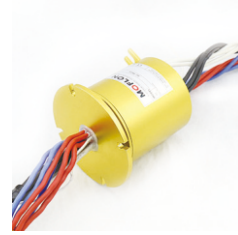
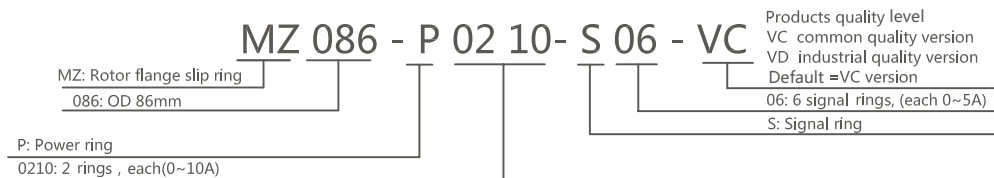


# MZ086 Series Slip Rings

MZ086 series slip ring is a general name for those rotor flange slip rings with OD(outer diameter) 86mm. Rotor wiring method is flange end face wiring.



## Part# Explanation



## Part# List

MZ086 series slip ring part list							
Part#	10A	Signal 5A	Length(mm)	Part#	10A	Signal 5A	Length(mm)
MZ086-S02	0	2	31.6	MZ086-P1210-S12	12	12	106.4
MZ086-P0210	2	0	31.6	MZ086-P1810-S06	18	6	106.4
MZ086-S03	0	3	35	MZ086-P2410	24	0	106.4
MZ086-P0310	3	0	35	MZ086-S30	0	30	126.8
MZ086-S06	0	6	45.2	MZ086-P0610-S24	6	24	126.8
MZ086-P0210-S04	2	4	45.2	MZ086-P1210-S18	12	18	126.8
MZ086-P0410-S02	4	2	45.2	MZ086-P1810-S12	18	12	126.8
MZ086-P0610	6	0	45.2	MZ086-P2410-S06	24	6	126.8
MZ086-S12	0	12	65.6	MZ086-P3010	30	0	126.8
MZ086-P0210-S10	2	10	65.6	MZ086-S36	0	36	147.2
MZ086-P0310-S09	3	9	65.6	MZ086-P0610-S30	6	30	147.2
MZ086-P0610-S06	6	6	65.6	MZ086-P1210-S24	12	24	147.2
MZ086-P0810-S04	8	4	65.6	MZ086-P3610	36	0	147.2
MZ086-P1010-S02	10	2	65.6	MZ086-S42	0	42	167.6
MZ086-P1210	12	0	65.6	MZ086-P0610-S36	6	36	167.6
MZ086-S18	0	18	86	MZ086-P1210-S30	12	30	167.6
MZ086-P0210-S16	2	16	86	MZ086-S48	0	48	188
MZ086-P0410-S14	4	14	86	MZ086-P0610-S42	6	42	188
MZ086-P0610-S12	6	12	86	MZ086-P0910-S39	9	39	188
MZ086-P0810-S10	8	10	86	MZ086-P1210-S36	12	36	188
MZ086-P1010-S08	10	8	86	MZ086-P1810-S30	18	30	188
MZ086-P1210-S06	12	6	86	MZ086-P2410-S24	24	24	188
MZ086-P1410-S04	14	4	86	MZ086-S60	0	60	238.8
MZ086-P1610-S02	16	2	86	MZ086-P0610-S54	6	54	238.8
MZ086-S24	0	24	106.4	MZ086-P0910-S51	9	51	238.8
MZ086-P0410-S20	4	20	106.4	MZ086-P1210-S48	12	48	238.8
MZ086-P0610-S18	6	18	106.4	MZ086-S72	0	72	289.6

Note:1. N channels 10A rings parallel can be used as 1 channel N\*10A current. For example: 2 rings 10A parallel could be used as 1 wires 20A.  
2. 10A,5A (signal) can combine freely in any way.It can be customized based on standard slip ring,please contact customer service for more detmalls.

## Specifications

Electrical Data		
Parameter	Value	
	Power	Signal
Rated Voltage	0~690VAC/VDC	0~440VAC/VDC
Insulation Resistance	≥1000MΩ/500VDC	≥1000MΩ/500VDC
Lead Wire	AWG16#Teflon	AWG22#Teflon
Lead Length	standard length 300mm(adjustable)	
Insulating Strength	500VAC@50Hz,60s	
Electrical Noise	<0.01Ω	
Mechanical Data		
Parameter	Value	
Working Life	See product quality level table	
Rotating Speed	See product quality level table	
Working Temperature	-30°C~80°C	
Operating Humidity	0~85% RH	
Contact Material	See product quality level table	
Housing Material	aluminum alloy	
Torque	0.1N.m;+0.03N.m/6 rings	
Protection Grade	IP51	

## Product Quality Level Table

Quality Level Code	Max Rotating Speed	Working Life	Contact Material
VC	250RPM	15 Million Revs	Precious Metal
VD	1000RPM	80 Million Revs	Gold-Gold

## Lead Wires Color Code

Ring	1	2	3	4	5	6	7	8	9	10	11	12
Color	BLK	RED	YLW	GRN	BLU	WHT	BLK	RED	YLW	GRN	BLU	WHT

(6 wires for 1 group color, from 7-12, repeat the same color as 1...6, indicated with number code pipe)

## Options for custom slip ring

Note: Below special demands can be customized. According, the delivery date will be extended 3 to 15 days; also the cost will be increased 30% to 50%. Most of our basic parts are standard and modular, which can save the cost and lead time.

- ① Flange size can be customized; cable exit way and cable length can be customized for both rotor and stator.
- ② Because of the structure limitation, length/height/OD can be customized on your request.
- ③ Support current or signal up to 200 rings.
- ④ Aviation plug, terminal and heat-shrink tube are optional.
- ⑤ Hybrid slip ring for Yaskawa/Panasonic/Siemens servo control signal, power line and encoder line.
- ⑥ Support mixed high speed data transmission (including Ethernet, USB, RS232, RS485, Profibus, CanBUS, CANOPEN, DeviceNET, CC-LINK, ProfiNET, EtherCAT, etc.)
- ⑦ Can combine temperature control signal with thermocouple signal.
- ⑧ Special environment can be customized, such as quakeproof, high temperature, etc.
- ⑨ Hybrid Pneumatic/hydraulic and electric slip ring can be mixed.
- ⑩ High temperature can up to 500 degrees.
- ⑪ High pressure can up to 110KV
- ⑫ Rotating speed can up to 10000RPM
- ⑬ Maximum current can up to 5000 amperes.
- ⑭ Military grade
- ⑮ Optional for underwater IP65, IP68.
- ⑯ Optional for stainless steel housing

Technical support: [technical@moflon.com](mailto:technical@moflon.com)