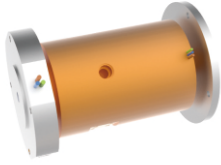


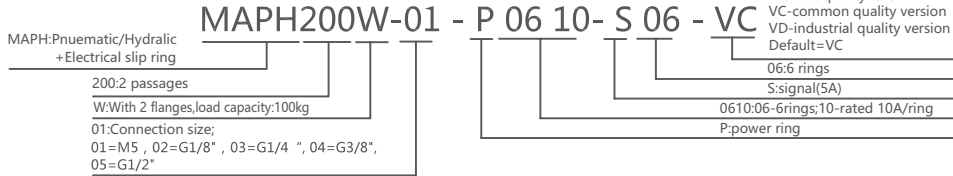
MAPH200W

Double Flange ,2 Passages Fluid Electrical Slip Ring



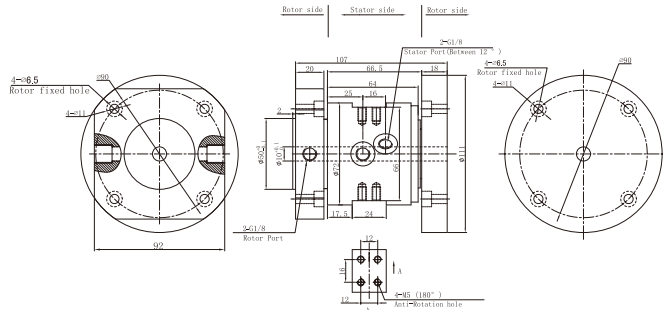
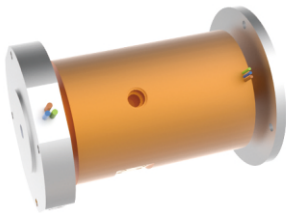
MAPH200W is 2 passages Pneumatic /Hydraulic + 2~96rings Electrical Slip Ring.
 Connection size including: M5,G1/8", G1/4", G3/8",G1/2" and bigger on request.
 Electrical rings including power wire, signal wire,Ethernet, USB, Industrial BUS, control Net, and all kinds of sensitive signal, etc. Normally use flange for installation, hollow shaft intallation on request.
 Media Types: Air/Gas,hydrogen,Nitrogen,Chemical, Water,Oil,etc.

Part# Explanation

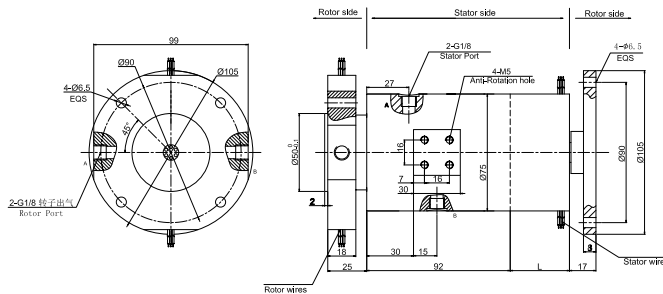


2 passages, G1/8

MAPH200W-02 Dimensions

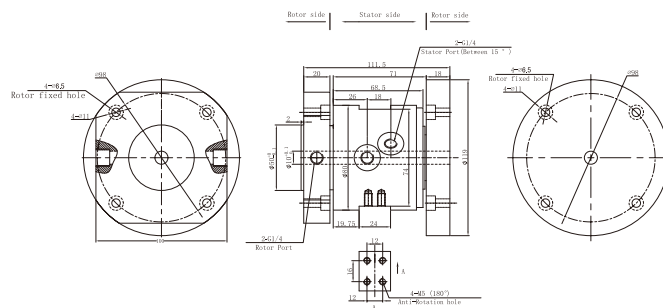
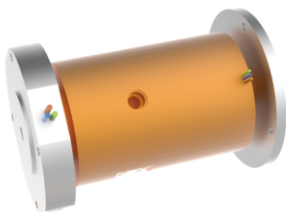


MAPH200W-02 Integration of gas and electricity Dimensions ▼

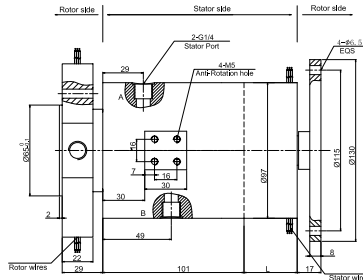
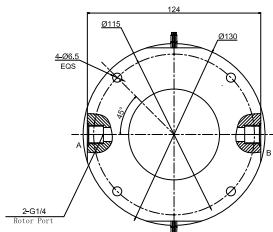


2 passages, G1/4

MAPH200W-03 Dimensions



MAPH200W-03 Integration of gas and electricity Dimensions ▼



Specifications

Rotary Union Specifications			Mechanical Data	
Parameter	Value		Parameter	Value
Passage	2 passages		Working life	See Product Quality Level Table
Max Pressure	10MPa, Vacuum 100KPa		Rotating Speed	See Product Quality Level Table
Torque	depend on conection size		Working Temperature	-30°C~80°C
Electrical Data			Operating Humidity	0~85% RH
Parameter	Value		Contact Material	Precious Metal
	Power	Signal	Housing Material	Aluminium Alloy
Rated Voltage	0~440VAC/VDC	0~440VAC/VDC	Protection Grade	IP51
Insulation Resistance	≥1000MΩ/500VDC	≥1000MΩ/500VDC		
Lead Wires	AWG17#Teflon	AWG22#Teflon		
Lead Length	standard 300mm(adjutable)			
Insulation Strength	500VAC@50Hz, 60s			
Electrical Noise	<0.01Ω			

Part# List

MAPH200W-XX Pneumatic/Hydraulic Slip Ring									
1) XX=01,connection size=M5 Pipe size3~6mm 2) XX=02connection size=G1/8" Pipe size3~10mm									
3) XX=03,connection size=G1/4", Pipe size3~12mm 4) XX=04,connection size=G3/8" Pipe size3~16mm									
5) XX=05,connection size=G1/2", Pipe size3~20mm									
Part#	Pneumatic/Hydraulic Passage	10A	Signal or 5A	Length (mm)	Part#	Pneumatic/Hydraulic Passage	10A	Signal or 5A	Length (mm)
MAPH200W-XX-S06	2 passages	0	6	38	MAPH200W-XX-P0810-S10	2 passages	8	10	71.6
MAPH200W-XX-P0210-S04	2 passages	2	4	38	MAPH200W-XX-P1010-S08	2 passages	10	8	71.6
MAPH200W-XX-P0410-S02	2 passages	4	2	38	MAPH200W-XX-P1210-S06	2 passages	12	6	71.6
MAPH200W-XX-P0610	2 passages	6	0	38	MAPH200W-XX-P1410-S04	2 passages	14	4	71.6
MAPH200W-XX-S12	2 passages	12	0	54.8	MAPH200W-XX-P1610-S02	2 passages	16	2	71.6
MAPH200W-XX-P0210-S10	2 passages	2	10	54.8	MAPH200W-XX-S24	2 passages	0	24	88.4
MAPH200W-XX-P0310-S09	2 passages	3	9	54.8	MAPH200W-XX-P0410-S20	2 passages	4	20	88.4
MAPH200W-XX-P0610-S06	2 passages	6	6	54.8	MAPH200W-XX-P0610-S18	2 passages	6	18	88.4
MAPH200W-XX-P0810-S04	2 passages	8	4	54.8	MAPH200W-XX-P1210-S12	2 passages	12	12	88.4
MAPH200W-XX-P1010-S02	2 passages	10	2	54.8	MAPH200W-XX-S30	2 passages	0	30	105.2
MAPH200W-XX-P1210	2 passages	12	0	54.8	MAPH200W-XX-P0610-S24	2 passages	6	24	105.2
MAPH200W-XX-S18	2 passages	0	18	71.6	MAPH200W-XX-S36	2 passages	0	36	125
MAPH200W-XX-P0210-S16	2 passages	2	16	71.6	MAPH200W-XX-S42	2 passages	0	42	141.8
MAPH200W-XX-P0410-S14	2 passages	4	14	71.6	MAPH200W-XX-S48	2 passages	0	48	158.6
MAPH200W-XX-P0610-S12	2 passages	6	12	71.6					

Note:N channels 10A rings parallel can be used as 1 channel N*10A current. For example: 2 rings 10A parallel could be used as 1 wires 20A 10A and Signal(5A) can be combine in any way as you need.Max.ring:96 rings,can be customized based on standard slip rings.Please contact us.

Product Quality Level Table

Products Level Code	Max Rotating Speed	Working Life	Sealing Element
VC	100RPM	10 Million Revs	Common Seals
VD	300RPM	30 Million Revs	High-Quality Seals

Lead Wires Color Code

Ring	1	2	3	4	5	6	7	8	9	10	11	12
Color	BLK	RED	YLW	GRN	BLU	WHT	BLK	RED	YLW	GRN	BLU	WHT

(6 wires for 1 group color, from 7-12, repeat the same color as 1...6, indicated with number code pipe)

Options for custom slip ring

Note: Below special demands can be customized. According, the delivery date will be extended 3 to 15 days; also the cost will be increased 30% to 50%. Most of our basic parts are standard and modular, which can save the cost and lead time.

- ① Cable exit way and cable length can be customized for both rotor and stator.
- ② Because of the structure limitation, length/height/OD can be customized on your request.
- ③ Support current or signal up to 200 rings.
- ④ Aviation plug, terminal and heat-shrink tube are optional.
- ⑤ Hybrid slip ring for Yaskawa/Panasonic/Siemens servo control signal, power line and encoder line.
- ⑥ Support mixed high speed data transmission (including Ethernet, USB, RS232, RS485, Profibus, CanBUS, CANOPEN, DeviceNET, CC-LINK, ProfiNET, EtherCAT, etc.)
- ⑦ Can combine temperature control signal with thermocouple signal.
- ⑧ Special environment can be customized, such as quakeproof, high temperature, etc.
- ⑨ Hybrid Pneumatic/hydraulic and electric slip ring can be mixed.
- ⑩ High temperature can up to 500 degrees.
- ⑪ High pressure can up to 110KV
- ⑫ Rotating speed can up to 10000RPM
- ⑬ Maximum current can up to 5000 amperes.
- ⑭ Military grade
- ⑮ Optional for underwater IP65, IP68.
- ⑯ Optional for stainless steel housing

Technical support: technical@moflon.com