

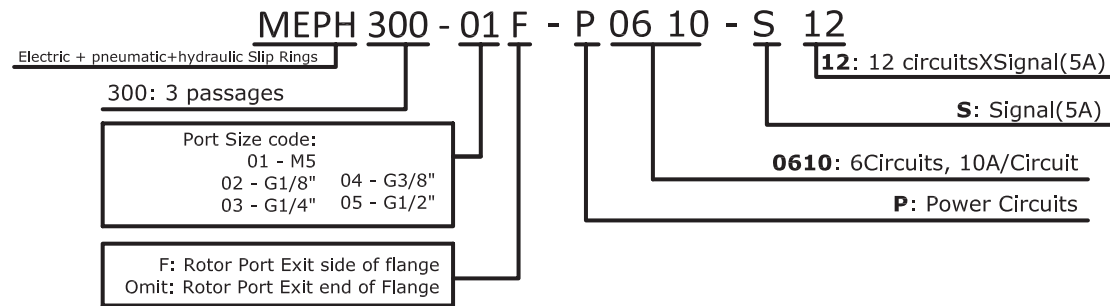
# MEPH300(1 PASSAGE+Electric)



MEPH300 slip rings, 3 passageway Pneumatic/Hydraulic, are specialized slip rings solutions, it can combine with power,signal,Ethernet,USB,Devicenet,Control Net,Canbus on request! It also could be mounted by shaft or optional flange mounting.

Connection Size:M5,G1/8",G1/4",G3/8",G1/2"

Media Types: Air/Gas, Chemical, DI / Tap Water, Oil, Water/Glycol.



## Parts# in stock

Parts#	Passage(Way)	Torque(N.m)	Passage Size
MEPH300-01	3	0.6N.m	M5
MEPH300-01F	3	0.6N.m	M5
MEPH300-02	3	1.2N.m	G 1/8"
MEPH300-02F	3	1.2N.m	G 1/8"
MEPH300-03	3	2.5N.m	G 1/4"
MEPH300-03F	3	2.5N.m	G 1/4"
MEPH300-04	3	5N.m	G 3/8"
MEPH300-04F	3	5N.m	G 3/8"
MEPH300-05	3	7N.m	G 1/2"
MEPH300-05F	3	7N.m	G 1/2"

Parts# - Combine with Electricl Circuits

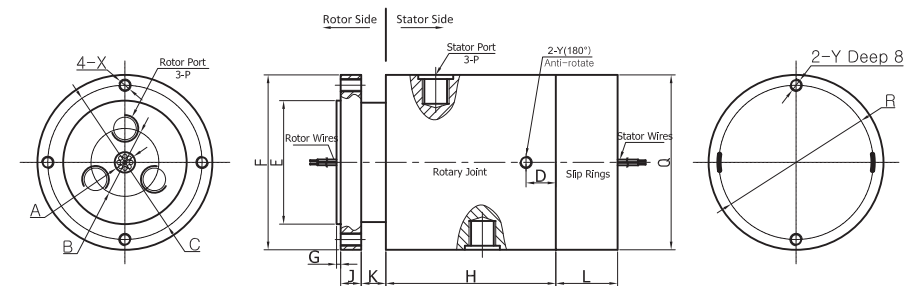
Parts#	Passage(Way)	10A	Signal/5A	RingNum
MEPH300-XXX	3	0	0	0
MEPH300-XXX-S06	3	0	6	6
MEPH300-XXX-P0610	3	6	0	6
MEPH300-XXX-S12	3	0	12	12
MEPH300-XXX-P0610-S06	3	6	6	12
MEPH300-XXX-P1210	3	12	0	12
MEPH300-XXX-S18	3	0	18	18
MEPH300-XXX-P0610-S12	3	6	12	18
MEPH300-XXX-P1210-S06	3	12	6	18
MEPH300-XXX-P1810	3	18	0	18
MEPH300-XXX-S24	3	0	24	24
MEPH300-XXX-P0610-S18	3	6	18	24
MEPH300-XXX-P1210-S12	3	12	12	24
MEPH300-XXX-P1810-S06	3	18	6	24
MEPH300-XXX-P2410	3	24	0	24
MEPH300-XXX-S30	3	0	30	30
MEPH300-XXX-S36	3	0	36	36
MEPH300-XXX-S48	3	0	48	48
MEPH300-XXX-S60	3	0	60	60
MEPH300-XXX-S72	3	0	72	72

## Specifications

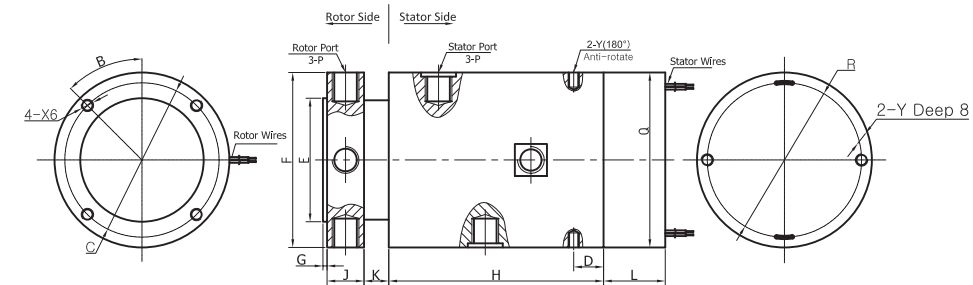
Rotary Joints Specifications			
PassageWay	3	Max Pressure	1500PSI(100BAR)
Max. Vacuum	10HG	Max Speed	500RPM
Material Type	Aluminum	Temperature	-40° C to 105° C

Electrical Specifications			
Rating voltage	600 VDC/VAC	Contact material	Precious Metal:Gold-Gold
Dielectric strength	1000VDC@50Hz	Lead Wire	UL Teflon®
Insulation resistance	1000MΩ@600VDC	Lead Lengths	250mm
Operating Temp.	-40°C to 80°C	Protection	IP51
Mechanical vibratio	MIL-SID-810E	Humidity	10% to 90% RH
Materials	Lead Free,RoHS compliant	CE Certified	YES

## Drawings



Size Code	A	B	C	D	E	F	G	H	J	K	Q	R	P	X	Y	L
MEPH300-01	φ10	φ20	φ51	12.5	φ40	φ60	2	54	5	12	φ60	φ51	M5	M5	M4	21.2+2.8XRingNum
MEPH300-02	φ10	φ28	φ61	13	φ50	φ70	2	85	7	12	φ70	φ61	G1/8	M5	M4	21.2+2.8XRingNum
MEPH300-03	φ10	φ33	φ75	14.5	φ60	φ85	2	104.5	10	12	φ85	φ75	G1/4	M6	M6	24.5+3.4XRingNum
MEPH300-04	φ10	φ36.5	φ82	14.5	φ65	φ94	2	118.3	10	12	φ94	φ82	G3/8	M6	M6	24.5+3.4XRingNum
MEPH300-05	φ10	φ41	φ97	15.5	φ80	φ109	2	132	10	12	φ109	φ97	G1/2	M6	M6	24.5+3.4XRingNum



Size Code	A	B	C	D	E	F	G	H	J	K	Q	R	P	X	Y	L
MEPH300-01F	φ10	45°	φ51	12.5	φ40	φ60	2	54	9	12	φ60	φ51	M5	M5	M4	21.2+2.8XRingNum
MEPH300-02F	φ10	45°	φ61	13	φ50	φ70	2	85	15	12	φ70	φ61	G1/8	M5	M4	21.2+2.8XRingNum
MEPH300-03F	φ10	45°	φ75	14.5	φ60	φ85	2	104.5	18	12	φ85	φ75	G1/4	M6	M6	24.5+3.4XRingNum
MEPH300-04F	φ10	45°	φ82	14.5	φ65	φ94	2	118.3	23	12	φ94	φ82	G3/8	M6	M6	24.5+3.4XRingNum
MEPH300-05F	φ10	45°	φ97	15.5	φ80	φ109	2	132	10	12	φ109	φ97	G1/2	M6	M6	24.5+3.4XRingNum