

## MEPH series(Pneumatic/Hydraulic+Electric)

Pneumatic/Hydraulic+Electric slip rings.

1/2/3/4/5/6/8/10/12/16 passageway Pneumatic/Hydraulic.

Support 1~72 wires electrical power/signal.

Connection Size:M5,G1/8",G1/4",G3/8",G1/2"

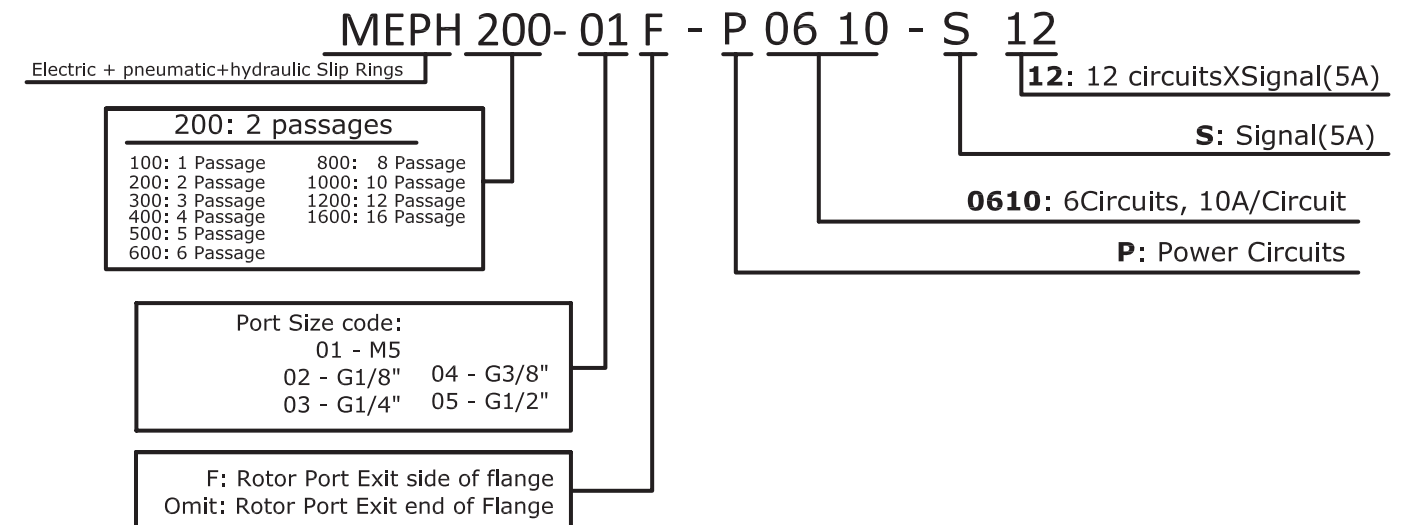
Media Types: Air/Gas, Chemical, DI / Tap Water, Oil, Water/Glycol.

Solid or Through bore are both available.



MODEL#	PNEUMATIC/ HYDRAULIC	COMBINED POWER/SIGNAL	MAX SPEED
MEPH100	1 Passage	1 ~ 72	300RPM
MEPH200	2 Passages	1 ~ 72	300RPM
MEPH300	3 Passages	1 ~ 72	300RPM
MEPH400	4 Passages	1 ~ 72	300RPM
MEPH500	5 Passages	1 ~ 72	300RPM
MEPH600	6 Passages	1 ~ 72	300RPM
MEPH800	8 Passages	1 ~ 72	300RPM
MEPH1000	10 Passages	1 ~ 72	300RPM
MEPH1200	12 Passages	1 ~ 72	300RPM
MEPH1600	16 Passages	1 ~ 72	300RPM

### Part Explanation



### Electrical Color Code

12 wires for one group color. from 13 ... 24, repeat the same color as 1 ... 12, indicated with number code pipe.

Lead wire Color codes					
Rings#	Color Code	Rings#	Color Code	Rings#	Color Code
1	BLK	5	YEL	9	GRY
2	BRN	6	GRN	10	WHT
3	RED	7	BLU	11	PINK
4	ORN	8	PURPLE	12	AZURY

### Options

- 1) Connection Sizes 1/8", 1/4", 3/8", 1/2", 3/4", 1". Other sizes available upon request.
- 2) Connection Type NPT & BSPP threads standard. SAE, NPTF, and other thread options are available on a custom basis.
- 3) Plating and Coatings Black oxide plating is standard. Anodized, E-Nickel, Chrome, Nitride, Ceramic and other specialty platings are available as custom options.
- 4) Materials Carbon steel is the standard material for the GP Series, Stainless Steel is the standard material for the GPS Series. Aluminum, Brass, and other materials are available on a custom basis.
- 5) Media Types: Air/Gas, Chemical, DI / Tap Water, Oil, Water/Glycol.

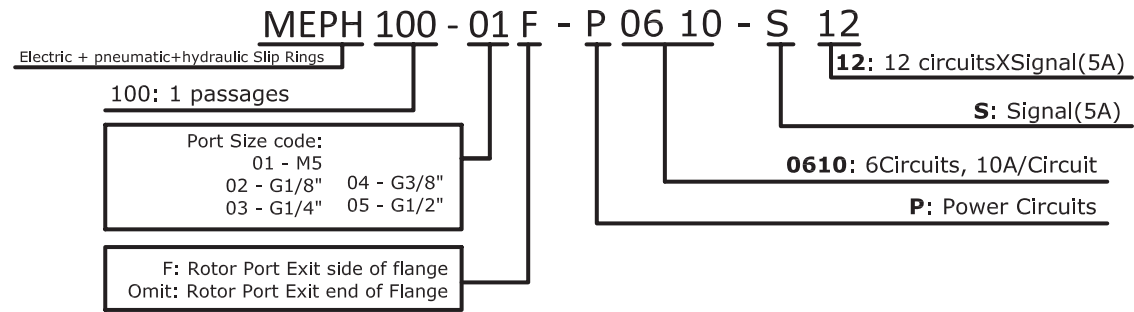
# MEPH100(1 PASSAGE+Electric)



MEPH100 slip rings, 1 passageway Pneumatic/Hydraulic, are specialized slip rings solutions, it can combine with power,signal,Ethernet,USB,Devicenet,Control Net,Canbus on request! It also could be mounted by shaft or optional flange mounting.

Connection Size:M5,G1/8",G1/4",G3/8",G1/2"

Media Types: Air/Gas, Chemical, DI / Tap Water, Oil, Water/Glycol.



## Parts# in stock

Parts#	Passage(Way)	Torque(N.m)	Passage Size
MEPH100-01	1	0.3N.m	M5
MEPH100-01F	1	0.3N.m	M5
MEPH100-02	1	0.8N.m	G 1/8"
MEPH100-02F	1	0.8N.m	G 1/8"
MEPH100-03	1	1.5N.m	G 1/4"
MEPH100-03F	1	1.5N.m	G 1/4"
MEPH100-04	1	3N.m	G 3/8"
MEPH100-04F	1	3N.m	G 3/8"
MEPH100-05	1	4N.m	G 1/2"
MEPH100-05F	1	4N.m	G 1/2"

Parts# - Combine with Electricl Circuits

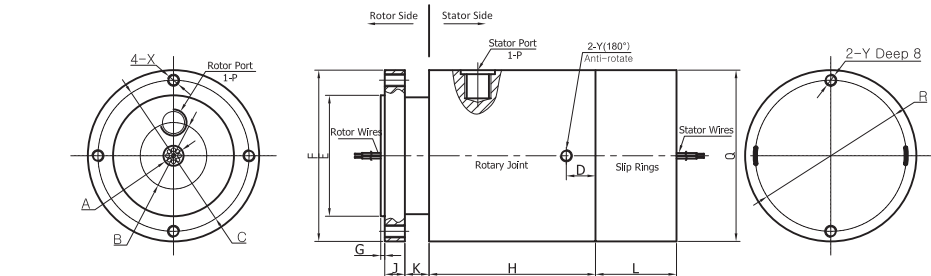
Parts#	Passage(Way)	10A	Signal/5A	RingNum
MEPH100-XXX	1	0	0	0
MEPH100-XXX-S06	1	0	6	6
MEPH100-XXX-P0610	1	6	0	6
MEPH100-XXX-S12	1	0	12	12
MEPH100-XXX-P0610-S06	1	6	6	12
MEPH100-XXX-P1210	1	12	0	12
MEPH100-XXX-S18	1	0	18	18
MEPH100-XXX-P0610-S12	1	6	12	18
MEPH100-XXX-P1210-S06	1	12	6	18
MEPH100-XXX-P1810	1	18	0	18
MEPH100-XXX-S24	1	0	24	24
MEPH100-XXX-P0610-S18	1	6	18	24
MEPH100-XXX-P1210-S12	1	12	12	24
MEPH100-XXX-P1810-S06	1	18	6	24
MEPH100-XXX-P2410	1	24	0	24
MEPH100-XXX-S30	1	0	30	30
MEPH100-XXX-S36	1	0	36	36
MEPH100-XXX-S48	1	0	48	48
MEPH100-XXX-S60	1	0	60	60
MEPH100-XXX-S72	1	0	72	72

## Specifications

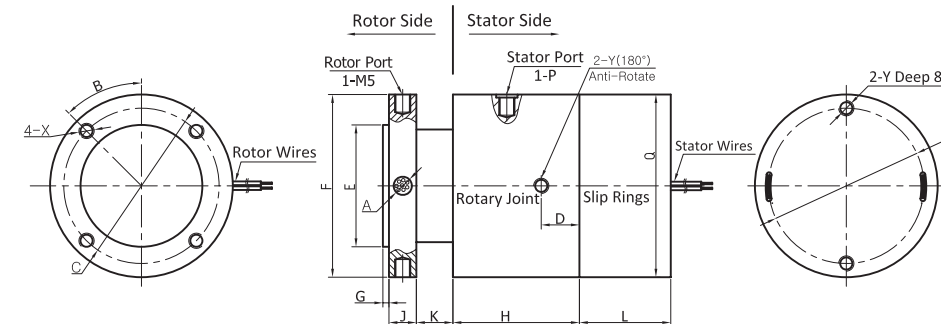
Rotary Joints Specifications			
PassageWay	1	Max Pressure	1500PSI(100BAR)
Max. Vacuum	10HG	Max Speed	500RPM
Material Type	Aluminum	Temperature	-40° C to 105° C

Electrical Specifications			
Rating voltage	600 VDC/VAC	Contact material	Precious Metal:Gold-Gold
Dielectric strength	1000VDC@50Hz	Lead Wire	UL Teflon®
Insulation resistance	1000MΩ@600VDC	Lead Lengths	250mm
Operating Temp.	-40°C to 80°C	Protection	IP51
Mechanical vibratio	MIL-SID-810E	Humidity	10% to 90% RH
Materials	Lead Free,RoHS compliant	CE Certified	YES

## Drawings



Size Code Part#	A	B	C	D	E	F	G	H	J	K	Q	R	P	X	Y	L
MEPH100-01	φ10	φ20	φ51	12.5	φ40	φ60	2	42.5	5	12	φ60	φ51	M5	M5	M4	21.2+2.8XRingNum
MEPH100-02	φ10	φ28	φ61	13	φ50	φ70	2	49.5	7	12	φ70	φ61	G1/8	M5	M5	21.2+2.8XRingNum
MEPH100-03	φ10	φ33	φ75	14.5	φ60	φ85	2	59.5	10	12	φ85	φ75	G1/4	M6	M6	24.5+3.4XRingNum
MEPH100-04	φ10	φ36.5	φ82	14.5	φ65	φ94	2	65.5	10	12	φ94	φ82	G3/8	M6	M6	24.5+3.4XRingNum
MEPH100-05	φ10	φ41	φ97	14.5	φ80	φ109	2	70.5	10	12	φ109	φ97	G1/2	M6	M6	24.5+3.4XRingNum



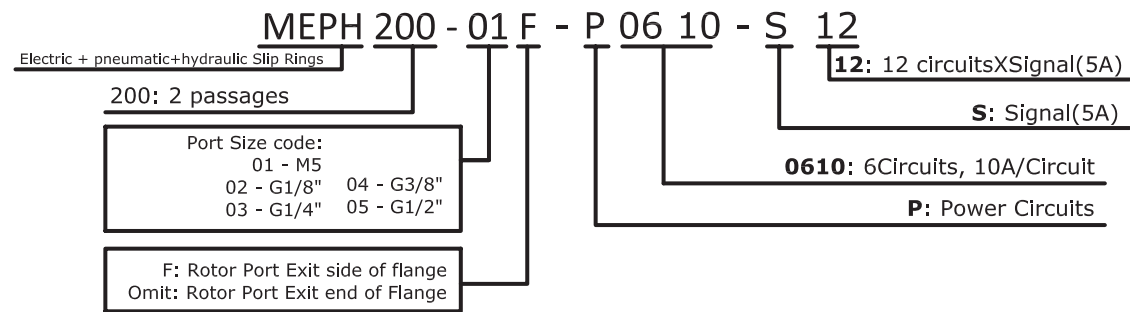
Size Code Part#	A	B	C	D	E	F	G	H	J	K	Q	R	P	X	Y	L
MEPH100-01F	φ10	45°	φ51	12.5	φ40	φ60	2	42.5	9	12	φ60	φ51	M5	M5	M4	21.2+2.8XRingNum
MEPH100-02F	φ10	45°	φ61	13	φ50	φ70	2	49.5	15	12	φ70	φ61	G1/8	M5	M5	21.2+2.8XRingNum
MEPH100-03F	φ10	45°	φ75	14.5	φ60	φ85	2	59.5	18	12	φ85	φ75	G1/4	M6	M6	24.5+3.4XRingNum
MEPH100-04F	φ10	45°	φ82	14.5	φ65	φ94	2	65.5	23	12	φ94	φ82	G3/8	M6	M6	24.5+3.4XRingNum
MEPH100-05F	φ10	45°	φ97	14.5	φ80	φ109	2	70.5	27	12	φ109	φ97	G1/2	M6	M6	24.5+3.4XRingNum

# MEPH200(2 PASSAGE+Electric)

MEPH200 slip rings, 2 passageway Pneumatic/Hydraulic, are specialized slip rings solutions, it can combine with power,signal,Ethernet,USB,Devicenet,Control Net,Canbus on request! It also could be mounted by shaft or optional flange mounting.

Connection Size:M5,G1/8",G1/4",G3/8",G1/2"

Media Types: Air/Gas, Chemical, DI / Tap Water, Oil, Water/Glycol.



## Parts# in stock

Parts#	Passage(Way)	Torque(N.m)	Passage Size
MEPH200-01	2	0.5N.m	M5
MEPH200-01F	2	0.5N.m	M5
MEPH200-02	2	1N.m	G 1/8"
MEPH200-02F	2	1N.m	G 1/8"
MEPH200-03	2	2N.m	G 1/4"
MEPH200-03F	2	2N.m	G 1/4"
MEPH200-04	2	4N.m	G 3/8"
MEPH200-04F	2	4N.m	G 3/8"
MEPH200-05	2	6N.m	G 1/2"
MEPH200-05F	2	6N.m	G 1/2"

Parts# - Combine with Electricl Circuits

Parts#	Passage(Way)	10A	Signal/5A	RingNum
MEPH200-XXX	2	0	0	0
MEPH200-XXX-S06	2	0	6	6
MEPH200-XXX-P0610	2	6	0	6
MEPH200-XXX-S12	2	0	12	12
MEPH200-XXX-P0610-S06	2	6	6	12
MEPH200-XXX-P1210	2	12	0	12
MEPH200-XXX-S18	2	0	18	18
MEPH200-XXX-P0610-S12	2	6	12	18
MEPH200-XXX-P1210-S06	2	12	6	18
MEPH200-XXX-P1810	2	18	0	18
MEPH200-XXX-S24	2	0	24	24
MEPH200-XXX-P0610-S18	2	6	18	24
MEPH200-XXX-P1210-S12	2	12	12	24
MEPH200-XXX-P1810-S06	2	18	6	24
MEPH200-XXX-P2410	2	24	0	24
MEPH200-XXX-S30	2	0	30	30
MEPH200-XXX-S36	2	0	36	36
MEPH200-XXX-S48	2	0	48	48
MEPH200-XXX-S60	2	0	60	60
MEPH200-XXX-S72	2	0	72	72

## Specifications

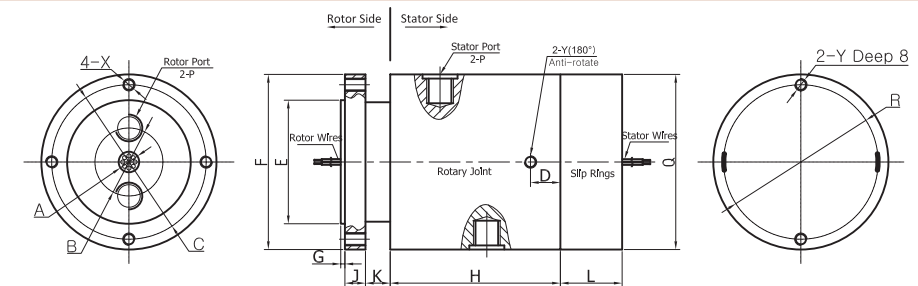
### Rotary Joints Specifications

PassageWay	2	Max Pressure	1500PSI(100BAR)
Max. Vacuum	10HG	Max Speed	500RPM
Material Type	Aluminum	Temperature	-40° C to 105° C

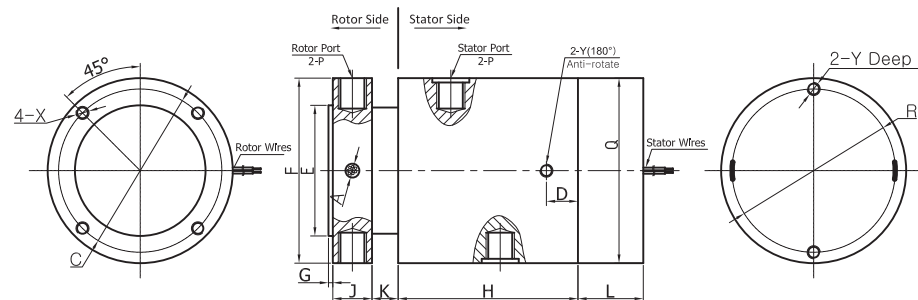
### Electrical Specifications

Rating voltage	600 VDC/VAC	Contact material	Precious Metal:Gold-Gold
Dielectric strength	1000VDC@50Hz	Lead Wire	UL Teflon®
Insulation resistance	1000MΩ@600VDC	Lead Lengths	250mm
Operating Temp.	-40°C to 80°C	Protection	IP51
Mechanical vibratio	MIL-SID-810E	Humidity	10% to 90% RH
Materials	Lead Free,RoHS compliant	CE Certified	YES

## Drawings



Size Code Part#	A	B	C	D	E	F	G	H	J	K	Q	R	Q	X	Y	L
MEPH100-01	φ10	φ20	φ51	12.5	φ40	φ60	2	54	5	12	φ60	φ51	M5	M5	M4	21.2+2.8XRingNum
MEPH100-02	φ10	φ28	φ61	13	φ50	φ70	2	67	7	12	φ70	φ61	G1/8	M5	M4	21.2+2.8XRingNum
MEPH100-03	φ10	φ33	φ75	14.5	φ60	φ85	2	82.5	10	12	φ85	φ75	G1/4	M6	M6	24.5+3.4XRingNum
MEPH100-04	φ10	φ36.5	φ82	14.5	φ65	φ94	2	92.5	10	12	φ94	φ82	G3/8	M6	M6	24.5+3.4XRingNum
MEPH100-05	φ10	φ41	φ97	14.5	φ80	φ109	2	101.5	10	12	φ109	φ97	G1/2	M6	M6	24.5+3.4XRingNum



Size Code Part#	A	B	C	D	E	F	G	H	J	K	Q	R	Q	X	Y	L
MEPH200-01F	φ10	45°	φ51	12.5	φ40	φ60	2	54	9	12	φ60	φ51	M5	M5	M4	21.2+2.8XRingNum
MEPH200-02F	φ10	45°	φ75	13	φ50	φ70	2	67	15	12	φ70	φ61	G1/8	M5	M4	21.2+2.8XRingNum
MEPH200-03F	φ10	45°	φ82	14.5	φ60	φ85	2	82.5	18	12	φ85	φ75	G1/4	M6	M6	24.5+3.4XRingNum
MEPH200-04F	φ10	45°	φ82	14.5	φ65	φ94	2	92.5	23	12	φ94	φ82	G3/8	M6	M6	24.5+3.4XRingNum
MEPH200-05F	φ10	φ45	φ97	14.5	φ80	φ109	2	101.5	27	12	φ109	φ97	G1/2	M6	M6	24.5+3.4XRingNum

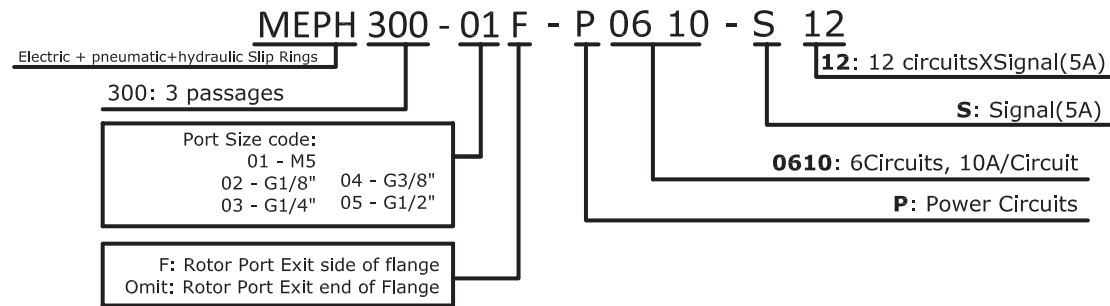
# MEPH300(1 PASSAGE+Electric)



MEPH300 slip rings, 3 passageway Pneumatic/Hydraulic, are specialized slip rings solutions, it can combine with power, signal, Ethernet, USB, Devicenet, Control Net, Canbus on request! It also could be mounted by shaft or optional flange mounting.

Connection Size: M5, G1/8", G1/4", G3/8", G1/2"

Media Types: Air/Gas, Chemical, DI / Tap Water, Oil, Water/Glycol.



## Parts# in stock

Parts#	Passage(Way)	Torque(N.m)	Passage Size
MEPH300-01	3	0.6N.m	M5
MEPH300-01F	3	0.6N.m	M5
MEPH300-02	3	1.2N.m	G 1/8"
MEPH300-02F	3	1.2N.m	G 1/8"
MEPH300-03	3	2.5N.m	G 1/4"
MEPH300-03F	3	2.5N.m	G 1/4"
MEPH300-04	3	5N.m	G 3/8"
MEPH300-04F	3	5N.m	G 3/8"
MEPH300-05	3	7N.m	G 1/2"
MEPH300-05F	3	7N.m	G 1/2"

Parts# - Combine with Electricl Circuits

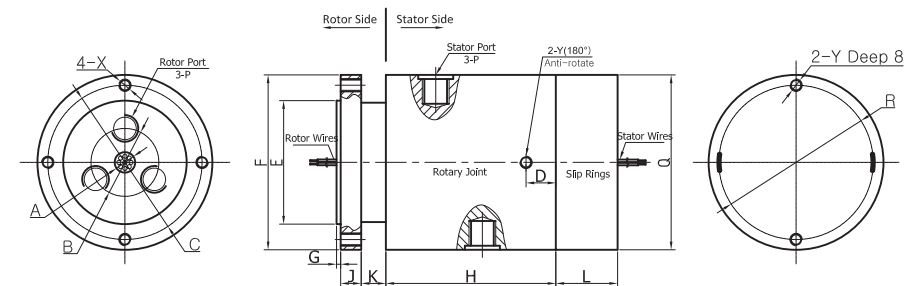
Parts#	Passage(Way)	10A	Signal/5A	RingNum
MEPH300-XXX	3	0	0	0
MEPH300-XXX-S06	3	0	6	6
MEPH300-XXX-P0610	3	6	0	6
MEPH300-XXX-S12	3	0	12	12
MEPH300-XXX-P0610-S06	3	6	6	12
MEPH300-XXX-P1210	3	12	0	12
MEPH300-XXX-S18	3	0	18	18
MEPH300-XXX-P0610-S12	3	6	12	18
MEPH300-XXX-P1210-S06	3	12	6	18
MEPH300-XXX-P1810	3	18	0	18
MEPH300-XXX-S24	3	0	24	24
MEPH300-XXX-P0610-S18	3	6	18	24
MEPH300-XXX-P1210-S12	3	12	12	24
MEPH300-XXX-P1810-S06	3	18	6	24
MEPH300-XXX-P2410	3	24	0	24
MEPH300-XXX-S30	3	0	30	30
MEPH300-XXX-S36	3	0	36	36
MEPH300-XXX-S48	3	0	48	48
MEPH300-XXX-S60	3	0	60	60
MEPH300-XXX-S72	3	0	72	72

## Specifications

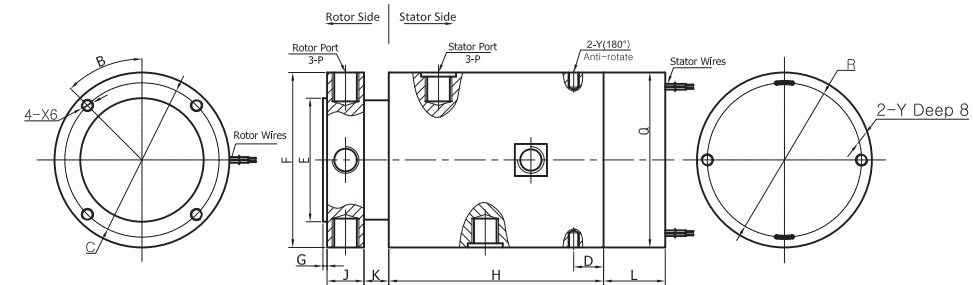
Rotary Joints Specifications			
PassageWay	3	Max Pressure	1500PSI(100BAR)
Max. Vacuum	10HG	Max Speed	500RPM
Material Type	Aluminum	Temperature	-40° C to 105° C

Electrical Specifications			
Rating voltage	600 VDC/VAC	Contact material	Precious Metal: Gold-Gold
Dielectric strength	1000VDC@50Hz	Lead Wire	UL Teflon®
Insulation resistance	1000MΩ@600VDC	Lead Lengths	250mm
Operating Temp.	-40°C to 80°C	Protection	IP51
Mechanical vibratio	MIL-SID-810E	Humidity	10% to 90% RH
Materials	Lead Free, RoHS compliant	CE Certified	YES

## Drawings



Size Code	A	B	C	D	E	F	G	H	J	K	Q	R	P	X	Y	L
MEPH300-01	φ10	φ20	φ51	12.5	φ40	φ60	2	54	5	12	φ60	φ51	M5	M5	M4	21.2+2.8XRingNum
MEPH300-02	φ10	φ28	φ61	13	φ50	φ70	2	85	7	12	φ70	φ61	G1/8	M5	M4	21.2+2.8XRingNum
MEPH300-03	φ10	φ33	φ75	14.5	φ60	φ85	2	104.5	10	12	φ85	φ75	G1/4	M6	M6	24.5+3.4XRingNum
MEPH300-04	φ10	φ36.5	φ82	14.5	φ65	φ94	2	118.3	10	12	φ94	φ82	G3/8	M6	M6	24.5+3.4XRingNum
MEPH300-05	φ10	φ41	φ97	15.5	φ80	φ109	2	132	10	12	φ109	φ97	G1/2	M6	M6	24.5+3.4XRingNum



Size Code	A	B	C	D	E	F	G	H	J	K	Q	R	P	X	Y	L
MEPH300-01F	φ10	45°	φ51	12.5	φ40	φ60	2	54	9	12	φ60	φ51	M5	M5	M4	21.2+2.8XRingNum
MEPH300-02F	φ10	45°	φ61	13	φ50	φ70	2	85	15	12	φ70	φ61	G1/8	M5	M4	21.2+2.8XRingNum
MEPH300-03F	φ10	45°	φ75	14.5	φ60	φ85	2	104.5	18	12	φ85	φ75	G1/4	M6	M6	24.5+3.4XRingNum
MEPH300-04F	φ10	45°	φ82	14.5	φ65	φ94	2	118.3	23	12	φ94	φ82	G3/8	M6	M6	24.5+3.4XRingNum
MEPH300-05F	φ10	45°	φ97	15.5	φ80	φ109	2	132	10	12	φ109	φ97	G1/2	M6	M6	24.5+3.4XRingNum

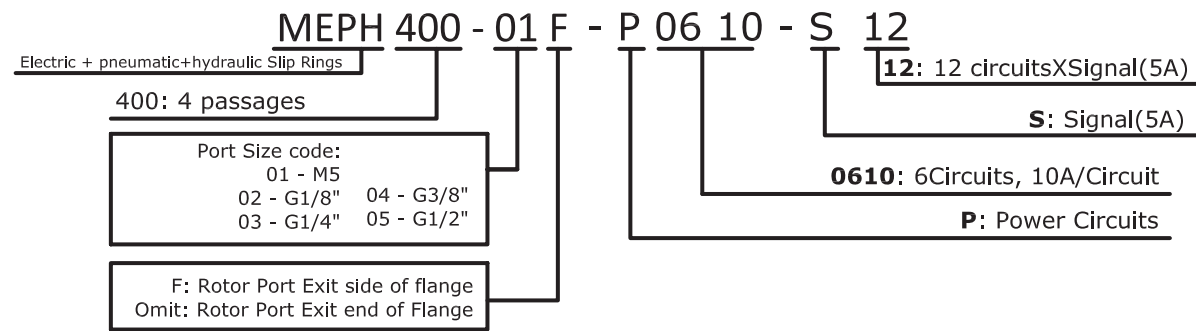
# MEPH400(4 PASSAGE+Electric)



MEPH400 slip rings, 4 passageway Pneumatic/Hydraulic, are specialized slip rings solutions, it can combine with power,signal,Ethernet,USB,Devicenet,Control Net,Canbus on request! It also could be mounted by shaft or optional flange mounting.

Connection Size:M5,G1/8",G1/4",G3/8",G1/2"

Media Types: Air/Gas, Chemical, DI / Tap Water, Oil, Water/Glycol.



## Parts# in stock

Parts#	Passage(Way)	Torque(N.m)	Passage Size
MEPH400-01	4	1N.m	M5
MEPH400-01F	4	1N.m	M5
MEPH400-02	4	2N.m	G 1/8"
MEPH400-02F	4	2N.m	G 1/8"
MEPH400-03	4	3N.m	G 1/4"
MEPH400-03F	4	3N.m	G 1/4"
MEPH400-04	4	6N.m	G 3/8"
MEPH400-04F	4	6N.m	G 3/8"
MEPH400-05	4	8N.m	G 1/2"
MEPH400-05F	4	8N.m	G 1/2"

Parts# - Combine with Electricl Circuits

Parts#	Passage(Way)	10A	Signal/5A	RingNum
MEPH400-XXX	4	0	0	0
MEPH400-XXX-S06	4	0	6	6
MEPH400-XXX-P0610	4	6	0	6
MEPH400-XXX-S12	4	0	12	12
MEPH400-XXX-P0610-S06	4	6	6	12
MEPH400-XXX-P1210	4	12	0	12
MEPH400-XXX-S18	4	0	18	18
MEPH400-XXX-P0610-S12	4	6	12	18
MEPH400-XXX-P1210-S06	4	12	6	18
MEPH400-XXX-P1810	4	18	0	18
MEPH400-XXX-S24	4	0	24	24
MEPH400-XXX-P0610-S18	4	6	18	24
MEPH400-XXX-P1210-S12	4	12	12	24
MEPH400-XXX-P1810-S06	4	18	6	24
MEPH400-XXX-P2410	4	24	0	24
MEPH400-XXX-S30	4	0	30	30
MEPH400-XXX-S36	4	0	36	36
MEPH400-XXX-S48	4	0	48	48
MEPH400-XXX-S60	4	0	60	60
MEPH400-XXX-S72	4	0	72	72

## Specifications

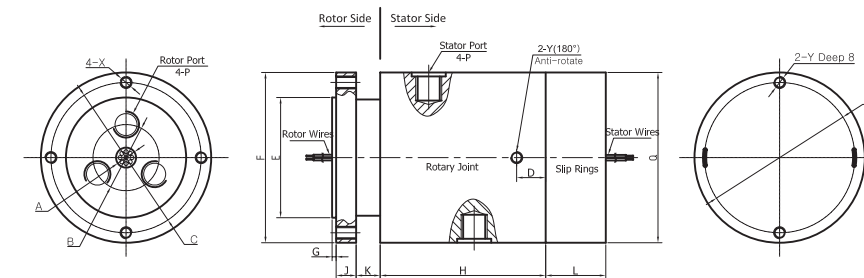
### Rotary Joints Specifications

PassageWay	4	Max Pressure	1500PSI(100BAR)
Max. Vacuum	10HG	Max Speed	500RPM
Material Type	Aluminum	Temperature	-40° C to 105° C

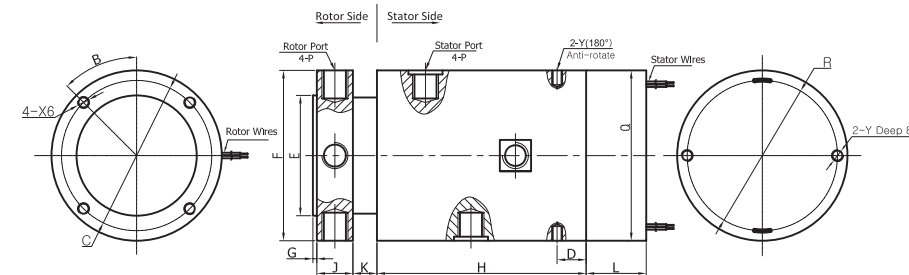
### Electrical Specifications

Rating voltage	600 VDC/VAC	Contact material	Precious Metal:Gold-Gold
Dielectric strength	1000VDC@50Hz	Lead Wire	UL Teflon®
Insulation resistance	1000MΩ@600VDC	Lead Lengths	250mm
Operating Temp.	-40°C to 80°C	Protection	IP51
Mechanical vibratio	MIL-SID-810E	Humidity	10% to 90% RH
Materials	Lead Free,RoHS compliant	CE Certified	YES

## Drawings



Size Code Part#	A	B	C	D	E	F	G	H	J	K	Q	R	P	X	Y	L
MEPH400-01	φ10	φ20	φ51	12.5	φ40	φ60	2	77.5	5	12	φ60	φ51	M5	M5	M4	21.2+2.8XRingNum
MEPH400-02	φ10	φ28	φ61	13	φ50	φ70	2	102.5	7	12	φ70	φ61	G1/8	M5	M4	21.2+2.8XRingNum
MEPH400-03	φ10	φ33	φ75	14.5	φ60	φ85	2	129.7	10	12	φ85	φ75	G1/4	M6	M6	24.5+3.4XRingNum
MEPH400-04	φ10	φ36.5	φ82	14.5	φ65	φ94	2	144.5	10	12	φ94	φ82	G3/8	M6	M6	24.5+3.4XRingNum
MEPH400-05	φ10	φ41	φ97	15.5	φ80	φ109	2	162.5	10	12	φ109	φ97	G1/2	M6	M6	24.5+3.4XRingNum



Size Code Part#	A	B	C	D	E	F	G	H	J	K	Q	R	P	X	Y	L
MEPH400-01F	φ10	45°	φ51	12.5	φ40	φ60	2	77.5	9	12	φ60	φ51	M5	M5	M4	21.2+2.8XRingNum
MEPH400-02F	φ10	45°	φ61	13	φ50	φ70	2	102.5	15	12	φ70	φ61	G1/8	M5	M4	21.2+2.8XRingNum
MEPH400-03F	φ10	45°	φ75	14.5	φ60	φ85	2	129.7	18	12	φ85	φ75	G1/4	M6	M6	24.5+3.4XRingNum
MEPH400-04F	φ10	45°	φ82	14.5	φ65	φ94	2	144.5	23	12	φ94	φ82	G3/8	M6	M6	24.5+3.4XRingNum
MEPH400-05F	φ10	45°	φ97	15.5	φ80	φ109	2	162.5	10	12	φ109	φ97	G1/2	M6	M6	24.5+3.4XRingNum

# MEPH500(5 PASSAGE+Electric)

MEPH500 slip rings, 5 passageway Pneumatic/Hydraulic, are specialized slip rings solutions, it can combine with power,signal,Ethernet,USB,Devicenet,Control Net,Canbus on request! It also could be mounted by shaft or optional flange mounting.

Connection Size:M5,G1/8",G1/4",G3/8",G1/2"

Media Types: Air/Gas, Chemical, DI / Tap Water, Oil, Water/Glycol.



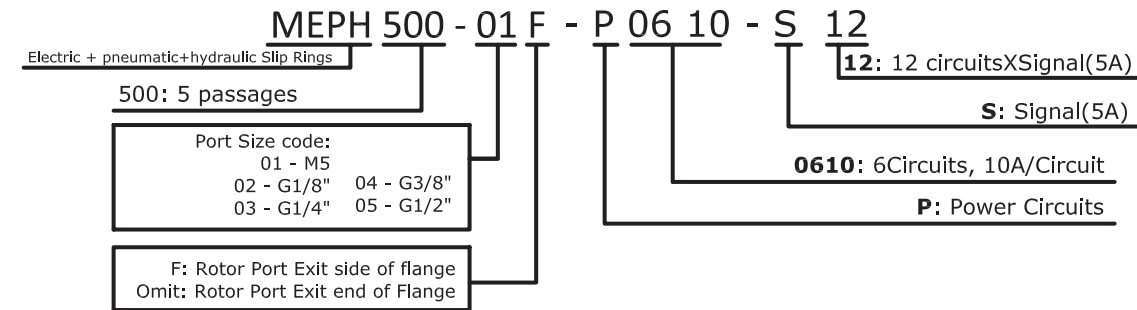
## Specifications

### Rotary Joints Specifications

PassageWay	5	Max Pressure	1500PSI(100BAR)
Max. Vacuum	10HG	Max Speed	500RPM
Material Type	Aluminum	Temperature	-40° C to 105° C

### Electrical Specifications

Rating voltage	600 VDC/VAC	Contact material	Precious Metal:Gold-Gold
Dielectric strength	1000VDC@50Hz	Lead Wire	UL Teflon®
Insulation resistance	1000MΩ@600VDC	Lead Lengths	250mm
Operating Temp.	-40°C to 80°C	Protection	IP51
Mechanical vibratio	MIL-SID-810E	Humidity	10% to 90% RH
Materials	Lead Free,RoHS compliant	CE Certified	YES



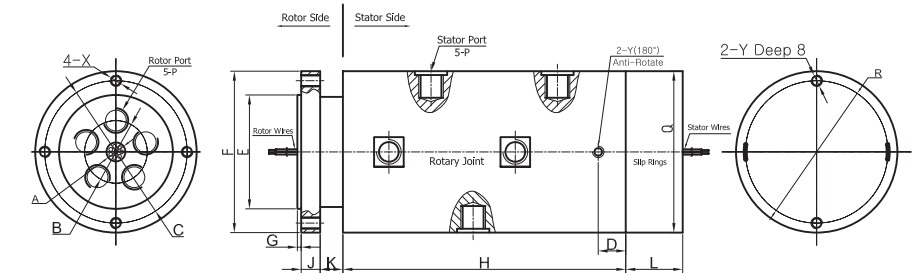
## Parts# in stock

Parts#	Passage(Way)	Torque(N.m)	Passage Size
MEPH500-01	5	1.2N.m	M5
MEPH500-01F	5	1.2N.m	M5
MEPH500-02	5	2.5N.m	G 1/8"
MEPH500-02F	5	2.5N.m	G 1/8"
MEPH500-03	5	4N.m	G 1/4"
MEPH500-03F	5	4N.m	G 1/4"
MEPH500-04	5	7N.m	G 3/8"
MEPH500-04F	5	7N.m	G 3/8"
MEPH500-05	5	9N.m	G 1/2"
MEPH500-05F	5	9N.m	G 1/2"

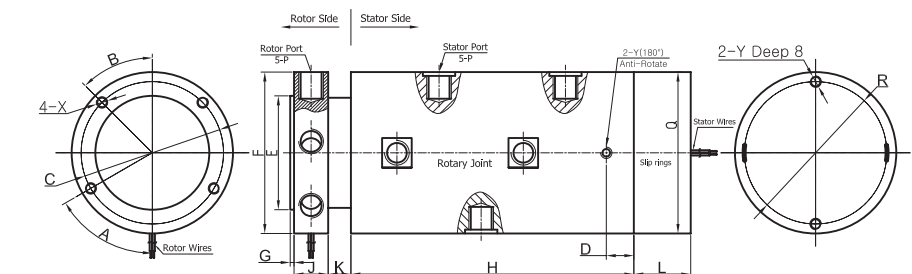
Parts# - Combine with Electrical Circuits

Parts#	Passage(Way)	10A	Signal/5A	RingNum
MEPH500-XXX	5	0	0	0
MEPH500-XXX-S06	5	0	6	6
MEPH500-XXX-P0610	5	6	0	6
MEPH500-XXX-S12	5	0	12	12
MEPH500-XXX-P0610-S06	5	6	6	12
MEPH500-XXX-P1210	5	12	0	12
MEPH500-XXX-S18	5	0	18	18
MEPH500-XXX-P0610-S12	5	6	12	18
MEPH500-XXX-P1210-S06	5	12	6	18
MEPH500-XXX-P1810	5	18	0	18
MEPH500-XXX-S24	5	0	24	24
MEPH500-XXX-P0610-S18	5	6	18	24
MEPH500-XXX-P1210-S12	5	12	12	24
MEPH500-XXX-P1810-S06	5	18	6	24
MEPH500-XXX-P2410	5	24	0	24
MEPH500-XXX-S30	5	0	30	30
MEPH500-XXX-S36	5	0	36	36
MEPH500-XXX-S48	5	0	48	48
MEPH500-XXX-S60	5	0	60	60
MEPH500-XXX-S72	5	0	72	72

## Drawings



Size Code Part#	A	B	C	D	E	F	G	H	J	K	Q	R	P	X	Y	L
MEPH500-01	φ10	φ20	φ51	12.5	φ40	φ60	2	89.5	5	12	φ60	φ51	M5	M5	M4	21.2+2.8XRingNum
MEPH500-02	φ10	φ28	φ61	13	φ50	φ70	2	120	7	12	φ70	φ61	G1/8	M5	M5	21.2+2.8XRingNum
MEPH500-03	φ10	φ33	φ75	14.5	φ60	φ85	2	149	10	12	φ85	φ75	G1/4	M6	M6	24.5+3.4XRingNum
MEPH500-04	φ10	φ36.5	φ82	14.5	φ65	φ94	2	171	10	12	φ94	φ82	G3/8	M6	M6	24.5+3.4XRingNum
MEPH500-05	φ10	φ46	φ102	14.5	φ85	φ114	2	194.5	10	12	φ114	φ102	G1/2	M6	M6	24.5+3.4XRingNum



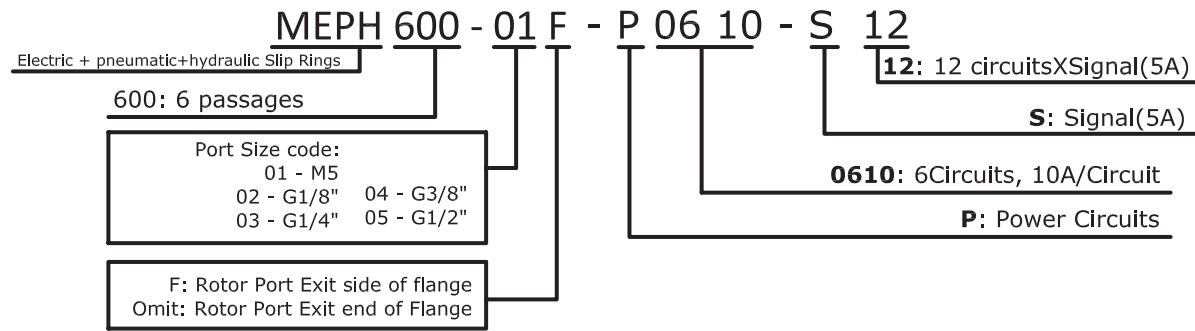
Size Code Part#	A	B	C	D	E	F	G	H	J	K	Q	R	P	X	Y	L
MEPH500-01F	45°	65°	φ51	12.5	φ40	φ60	2	89.5	9	12	φ60	φ51	M5	M5	M4	21.2+2.8XRingNum
MEPH500-02F	36°	60°	φ61	13	φ50	φ70	2	120	15	12	φ70	φ61	G1/8	M5	M5	21.2+2.8XRingNum
MEPH500-03F	45°	60°	φ75	14.5	φ60	φ85	2	149	18	12	φ85	φ75	G1/4	M6	M6	24.5+3.4XRingNum
MEPH500-04F	45°	60°	φ82	14.5	φ65	φ94	2	171	23	12	φ94	φ82	G3/8	M6	M6	24.5+3.4XRingNum
MEPH500-05F	45°	60°	φ102	14.5	φ85	φ114	2	194.5	27	12	φ114	φ102	G1/2	M6	M6	24.5+3.4XRingNum

# MEPH600(6 PASSAGE+Electric)

MEPH600 slip rings, 6 passageway Pneumatic/Hydraulic, are specialized slip rings solutions, it can combine with power,signal,Ethernet,USB,Devicenet,Control Net,Canbus on request! It also could be mounted by shaft or optional flange mounting.

Connection Size:M5,G1/8",G1/4",G3/8",G1/2"

Media Types: Air/Gas, Chemical, DI / Tap Water, Oil, Water/Glycol.



## Parts# in stock

Parts#	Passage(Way)	Torque(N.m)	Passage Size
MEPH600-01	6	1.5N.m	M5
MEPH600-01F	6	1.5N.m	M5
MEPH600-02	6	3.5N.m	G 1/8"
MEPH600-02F	6	3.5N.m	G 1/8"
MEPH600-03	6	5N.m	G 1/4"
MEPH600-03F	6	5N.m	G 1/4"
MEPH600-04	6	8N.m	G 3/8"
MEPH600-04F	6	8N.m	G 3/8"
MEPH600-05	6	10N.m	G 1/2"
MEPH600-05F	6	10N.m	G 1/2"

Parts# - Combine with Electricl Circuits

Parts#	Passage(Way)	10A	Signal/5A	RingNum
MEPH600-XXX	6	0	0	0
MEPH600-XXX-S06	6	0	6	6
MEPH600-XXX-P0610	6	6	0	6
MEPH600-XXX-S12	6	0	12	12
MEPH600-XXX-P0610-S06	6	6	6	12
MEPH600-XXX-P1210	6	12	0	12
MEPH600-XXX-S18	6	0	18	18
MEPH600-XXX-P0610-S12	6	6	12	18
MEPH600-XXX-P1210-S06	6	12	6	18
MEPH600-XXX-P1810	6	18	0	18
MEPH600-XXX-S24	6	0	24	24
MEPH600-XXX-P0610-S18	6	6	18	24
MEPH600-XXX-P1210-S12	6	12	12	24
MEPH600-XXX-P1810-S06	6	18	6	24
MEPH600-XXX-P2410	6	24	0	24
MEPH600-XXX-S30	6	0	30	30
MEPH600-XXX-S36	6	0	36	36
MEPH600-XXX-S48	6	0	48	48
MEPH600-XXX-S60	6	0	60	60
MEPH600-XXX-S72	6	0	72	72

## Specifications

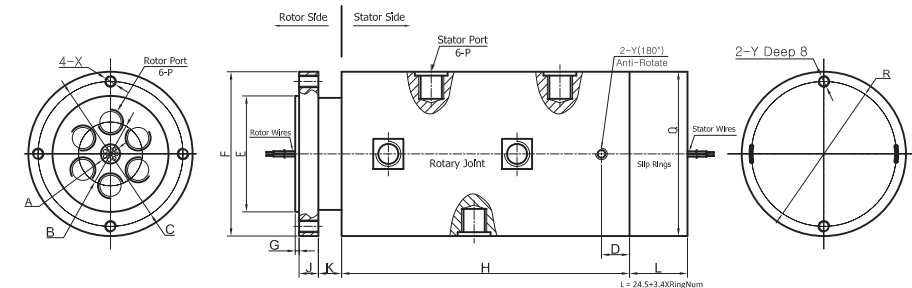
### Rotary Joints Specifications

PassageWay	6	Max Pressure	1500PSI(100BAR)
Max. Vacuum	10HG	Max Speed	500RPM
Material Type	Aluminum	Temperature	-40° C to 105° C

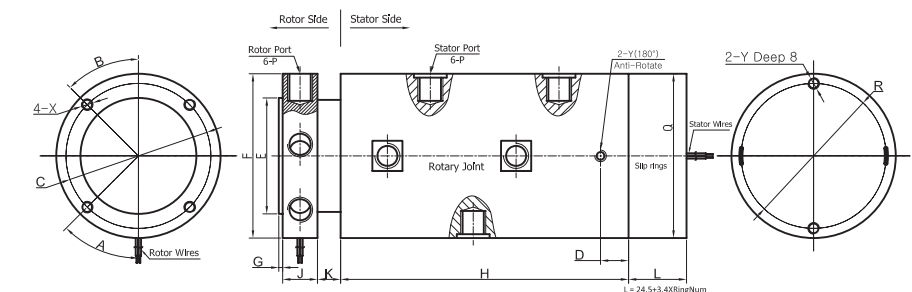
### Electrical Specifications

Rating voltage	600 VDC/VAC	Contact material	Precious Metal:Gold-Gold
Dielectric strength	1000VDC@50Hz	Lead Wire	UL Teflon®
Insulation resistance	1000MΩ@600VDC	Lead Lengths	250mm
Operating Temp.	-40°C to 80°C	Protection	IP51
Mechanical vibratio	MIL-SID-810E	Humidity	10% to 90% RH
Materials	Lead Free,RoHS compliant	CE Certified	YES

## Drawings



Size Code Part#	A	B	C	D	E	F	G	H	J	K	Q	R	P	X	Y	L
MEPH600-01	φ10	φ20	φ51	12.5	φ40	φ60	2	101	5	12	φ60	φ51	M5	M5	M4	21.2+2.8XRingNum
MEPH600-02	φ10	φ28	φ61	13	φ50	φ70	2	138	7	12	φ70	φ61	G1/8	M5	M5	21.2+2.8XRingNum
MEPH600-03	φ10	φ33	φ75	14.5	φ60	φ85	2	171	10	12	φ85	φ75	G1/4	M6	M6	24.5+3.4XRingNum
MEPH600-04	φ10	φ41.5	φ88	14.5	φ71	φ99	2	198	10	12	φ99	φ88	G3/8	M6	M6	24.5+3.4XRingNum
MEPH600-05	φ10	φ50	φ107	14.5	φ90	φ119	2	227	10	12	φ119	φ107	G1/2	M6	M6	24.5+3.4XRingNum



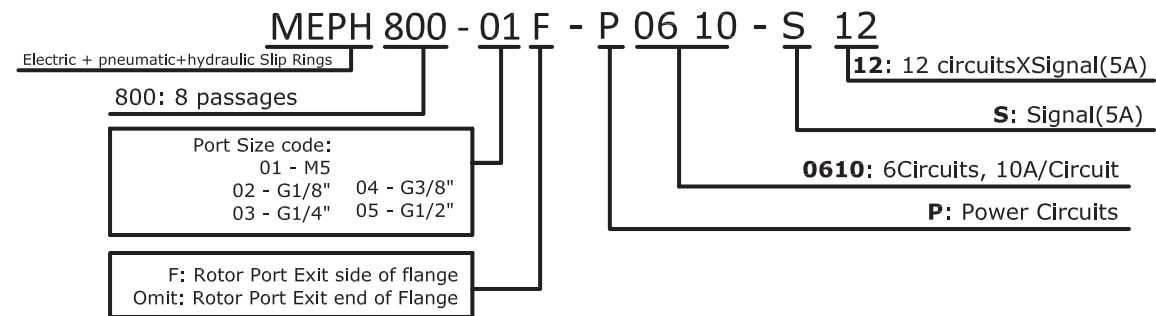
Size Code Part#	A	B	C	D	E	F	G	H	J	K	Q	R	P	X	Y	L
MEPH600-01F	40°	40°	φ51	12.5	φ40	φ60	2	101	9	12	φ60	φ51	M5	M5	M4	21.2+2.8XRingNum
MEPH600-02F	40°	40°	φ61	13	φ50	φ70	2	138	15	12	φ70	φ61	G1/8	M5	M5	21.2+2.8XRingNum
MEPH600-03F	40°	40°	φ75	14.5	φ60	φ85	2	171	18	12	φ85	φ75	G1/4	M6	M6	24.5+3.4XRingNum
MEPH600-04F	40°	40°	φ88	14.5	φ71	φ99	2	198	23	12	φ99	φ88	G3/8	M6	M6	24.5+3.4XRingNum
MEPH600-05F	40°	40°	φ107	14.5	φ90	φ119	2	227	27	12	φ119	φ107	G1/2	M6	M6	24.5+3.4XRingNum

## MEPH800(8 PASSAGE+Electric)

MEPH100 slip rings, 8 passageway Pneumatic/Hydraulic, are specialized slip rings solutions, it can combine with power,signal,Ethernet,USB,Devicenet,Control Net,Canbus on request! It also could be mounted by shaft or optional flange mounting.

Connection Size:M5,G1/8",G1/4",G3/8",G1/2"

Media Types: Air/Gas, Chemical, DI / Tap Water, Oil, Water/Glycol.



### Parts# in stock

Parts#	Passage(Way)	Torque(N.m)	Passage Size
MEPH800-01	8	2.5N.m	M5
MEPH800-01F	8	2.5N.m	M5
MEPH800-02	8	4.5N.m	G 1/8"
MEPH800-02F	8	4.5N.m	G 1/8"
MEPH800-03	8	6N.m	G 1/4"
MEPH800-03F	8	6N.m	G 1/4"

Parts# - Combine with Electricl Circuits

Parts#	Passage(Way)	10A	Signal/5A	RingNum
MEPH800-XXX	8	0	0	0
MEPH800-XXX-S06	8	0	6	6
MEPH800-XXX-P0610	8	6	0	6
MEPH800-XXX-S12	8	0	12	12
MEPH800-XXX-P0610-S06	8	6	6	12
MEPH800-XXX-P1210	8	12	0	12
MEPH800-XXX-S18	8	0	18	18
MEPH800-XXX-P0610-S12	8	6	12	18
MEPH800-XXX-P1210-S06	8	12	6	18
MEPH800-XXX-P1810	8	18	0	18
MEPH800-XXX-S24	8	0	24	24
MEPH800-XXX-P0610-S18	8	6	18	24
MEPH800-XXX-P1210-S12	8	12	12	24
MEPH800-XXX-P1810-S06	8	18	6	24
MEPH800-XXX-P2410	8	24	0	24
MEPH800-XXX-S30	8	0	30	30
MEPH800-XXX-S36	8	0	36	36
MEPH800-XXX-S48	8	0	48	48
MEPH800-XXX-S60	8	0	60	60
MEPH800-XXX-S72	8	0	72	72

### Specifications

#### Rotary Joints Specifications

PassageWay	8	Max Pressure	1500PSI(100BAR)
Max. Vacuum	10HG	Max Speed	500RPM
Material Type	Aluminum	Temperature	-40° C to 105° C

#### Electrical Specifications

Rating voltage	600 VDC/VAC	Contact material	Precious Metal:Gold-Gold
Dielectric strength	1000VDC@50Hz	Lead Wire	UL Teflon®
Insulation resistance	1000MΩ@600VDC	Lead Lengths	250mm
Operating Temp.	-40°C to 80°C	Protection	IP51
Mechanical vibratio	MIL-SID-810E	Humidity	10% to 90% RH
Materials	Lead Free,RoHS compliant	CE Certified	YES

### Drawings



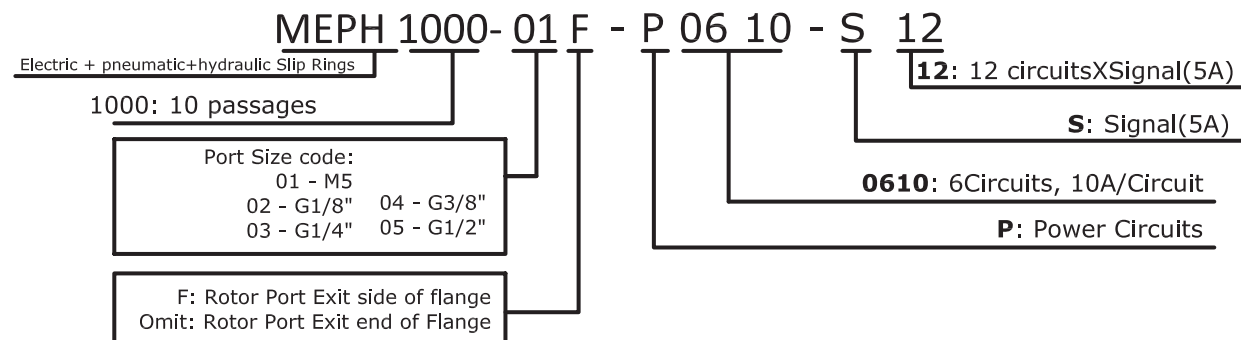
# MEPH1000(1 PASSAGE+Electric)



MEPH1000 slip rings, 10 passageway Pneumatic/Hydraulic, are specialized slip rings solutions, it can combine with power,signal,Ethernet,USB,Devicenet,Control Net,Canbus on request! It also could be mounted by shaft or optional flange mounting.

Connection Size:M5,G1/8",G1/4",G3/8",G1/2"

Media Types: Air/Gas, Chemical, DI / Tap Water, Oil, Water/Glycol.



## Parts# in stock

Parts#	Passage(Way)	Torque(N.m)	Passage Size
MEPH1000-01	10	3.5N.m	M5
MEPH1000-01F	10	3.5N.m	M5
MEPH1000-02	10	5.5N.m	G 1/8"
MEPH1000-02F	10	5.5N.m	G 1/8"
MEPH1000-03	10	8N.m	G 1/4"
MEPH1000-03F	10	8N.m	G 1/4"

Parts# - Combine with Electricl Circuits

Parts#	Passage(Way)	10A	Signal/5A	RingNum
MEPH1000-XXX	10	0	0	0
MEPH1000-XXX-S06	10	0	6	6
MEPH1000-XXX-P0610	10	6	0	6
MEPH1000-XXX-S12	10	0	12	12
MEPH1000-XXX-P0610-S06	10	6	6	12
MEPH1000-XXX-P1210	10	12	0	12
MEPH1000-XXX-S18	10	0	18	18
MEPH1000-XXX-P0610-S12	10	6	12	18
MEPH1000-XXX-P1210-S06	10	12	6	18
MEPH1000-XXX-P1810	10	18	0	18
MEPH1000-XXX-S24	10	0	24	24
MEPH1000-XXX-P0610-S18	10	6	18	24
MEPH1000-XXX-P1210-S12	10	12	12	24
MEPH1000-XXX-P1810-S06	10	18	6	24
MEPH1000-XXX-P2410	10	24	0	24
MEPH1000-XXX-S30	10	0	30	30
MEPH1000-XXX-S36	10	0	36	36
MEPH1000-XXX-S48	10	0	48	48
MEPH1000-XXX-S60	10	0	60	60
MEPH1000-XXX-S72	10	0	72	72

## Specifications

### Rotary Joints Specifications

PassageWay	<b>10</b>	Max Pressure	1500PSI(100BAR)
Max. Vacuum	<b>10HG</b>	Max Speed	500RPM
Material Type	<b>Aluminum</b>	Temperature	-40° C to 105° C

### Electrical Specifications

Rating voltage	600 VDC/VAC	Contact material	Precious Metal:Gold-Gold
Dielectric strength	1000VDC@50Hz	Lead Wire	UL Teflon®
Insulation resistance	1000MΩ@600VDC	Lead Lengths	250mm
Operating Temp.	-40°C to 80°C	Protection	IP51
Mechanical vibratio	MIL-SID-810E	Humidity	10% to 90% RH
Materials	Lead Free,RoHS compliant	CE Certified	YES

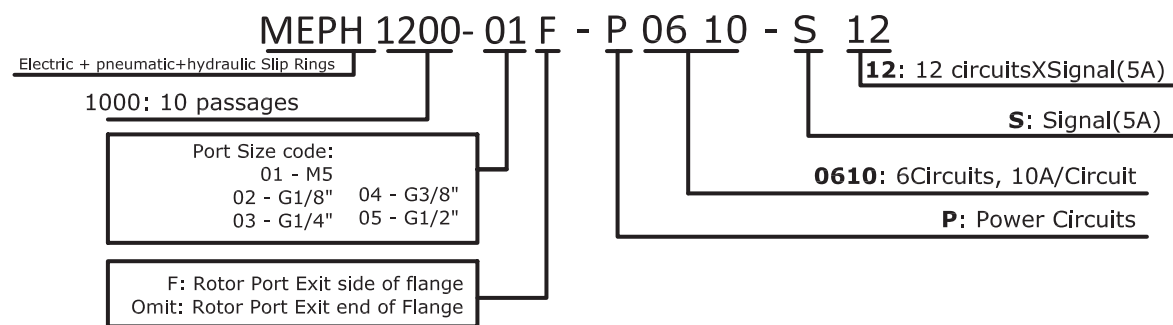
## Drawings

## MEPH1200(12 PASSAGE+Electric)

MEPH1200 slip rings, 12 passageway Pneumatic/Hydraulic, are specialized slip rings solutions, it can combine with power,signal,Ethernet,USB,Devicenet,Control Net,Canbus on request! It also could be mounted by shaft or optional flange mounting.

Connection Size:M5,G1/8",G1/4",G3/8",G1/2"

Media Types: Air/Gas, Chemical, DI / Tap Water, Oil, Water/Glycol.



### Parts# in stock

Parts#	Passage(Way)	Torque(N.m)	Passage Size
MEPH1200-01	12	5N.m	M5
MEPH1200-01F	12	5N.m	M5
MEPH1200-02	12	7N.m	G 1/8"
MEPH1200-02F	12	7N.m	G 1/8"
MEPH1200-03	12	10N.m	G 1/4"
MEPH1200-03F	12	10N.m	G 1/4"

Parts# - Combine with Electricl Circuits

Parts#	Passage(Way)	10A	Signal/5A	RingNum
MEPH1200-XXX	12	0	0	0
MEPH1200-XXX-S06	12	0	6	6
MEPH1200-XXX-P0610	12	6	0	6
MEPH1200-XXX-S12	12	0	12	12
MEPH1200-XXX-P0610-S06	12	6	6	12
MEPH1200-XXX-P1210	12	12	0	12
MEPH1200-XXX-S18	12	0	18	18
MEPH1200-XXX-P0610-S12	12	6	12	18
MEPH1200-XXX-P1210-S06	12	12	6	18
MEPH1200-XXX-P1810	12	18	0	18
MEPH1200-XXX-S24	12	0	24	24
MEPH1200-XXX-P0610-S18	12	6	18	24
MEPH1200-XXX-P1210-S12	12	12	12	24
MEPH1200-XXX-P1810-S06	12	18	6	24
MEPH1200-XXX-P2410	12	24	0	24
MEPH1200-XXX-S30	12	0	30	30
MEPH1200-XXX-S36	12	0	36	36
MEPH1200-XXX-S48	12	0	48	48
MEPH1200-XXX-S60	12	0	60	60
MEPH1200-XXX-S72	12	0	72	72

### Specifications

#### Rotary Joints Specifications

PassageWay	12	Max Pressure	1500PSI(100BAR)
Max. Vacuum	10HG	Max Speed	500RPM
Material Type	Aluminum	Temperature	-40° C to 105° C

#### Electrical Specifications

Rating voltage	600 VDC/VAC	Contact material	Precious Metal:Gold-Gold
Dielectric strength	1000VDC@50Hz	Lead Wire	UL Teflon®
Insulation resistance	1000MΩ@600VDC	Lead Lengths	250mm
Operating Temp.	-40°C to 80°C	Protection	IP51
Mechanical vibratio	MIL-SID-810E	Humidity	10% to 90% RH
Materials	Lead Free,RoHS compliant	CE Certified	YES

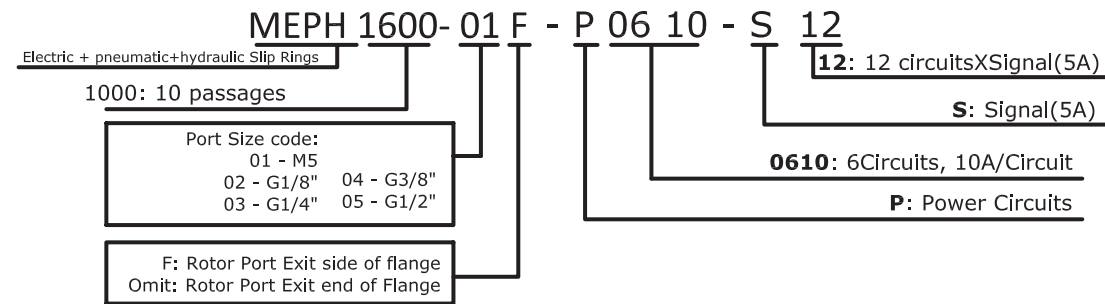
### Drawings

## MEPH1600(16 PASSAGE+Electric)

MEPH1600 slip rings, 16 passageway Pneumatic/Hydraulic, are specialized slip rings solutions, it can combine with power,signal,Ethernet,USB,Devicenet,Control Net,Canbus on request! It also could be mounted by shaft or optional flange mounting.

Connection Size:M5,G1/8",G1/4",G3/8",G1/2"

Media Types: Air/Gas, Chemical, DI / Tap Water, Oil, Water/Glycol.



### Parts# in stock

Parts#	Passage(Way)	Torque(N.m)	Passage Size
MEPH1600-01	16	8N.m	M5
MEPH1600-01F	16	8N.m	M5
MEPH1600-02	16	10N.m	G 1/8"
MEPH1600-02F	16	10N.m	G 1/8"
MEPH1600-03	16	12N.m	G 1/4"
MEPH1600-03F	16	12N.m	G 1/4"

Parts# - Combine with Electricl Circuits

Parts#	Passage(Way)	10A	Signal/5A	RingNum
MEPH1600-XXX	16	0	0	0
MEPH1600-XXX-S06	16	0	6	6
MEPH1600-XXX-P0610	16	6	0	6
MEPH1600-XXX-S12	16	0	12	12
MEPH1600-XXX-P0610-S06	16	6	6	12
MEPH1600-XXX-P1210	16	12	0	12
MEPH1600-XXX-S18	16	0	18	18
MEPH1600-XXX-P0610-S12	16	6	12	18
MEPH1600-XXX-P1210-S06	16	12	6	18
MEPH1600-XXX-P1810	16	18	0	18
MEPH1600-XXX-S24	16	0	24	24
MEPH1600-XXX-P0610-S18	16	6	18	24
MEPH1600-XXX-P1210-S12	16	12	12	24
MEPH1600-XXX-P1810-S06	16	18	6	24
MEPH1600-XXX-P2410	16	24	0	24
MEPH1600-XXX-S30	16	0	30	30
MEPH1600-XXX-S36	16	0	36	36
MEPH1600-XXX-S48	16	0	48	48
MEPH1600-XXX-S60	16	0	60	60
MEPH1600-XXX-S72	16	0	72	72

### Specifications

#### Rotary Joints Specifications

PassageWay	16	Max Pressure	1500PSI(100BAR)
Max. Vacuum	10HG	Max Speed	500RPM
Material Type	Aluminum	Temperature	-40° C to 105° C

#### Electrical Specifications

Rating voltage	600 VDC/VAC	Contact material	Precious Metal:Gold-Gold
Dielectric strength	1000VDC@50Hz	Lead Wire	UL Teflon®
Insulation resistance	1000MΩ@600VDC	Lead Lengths	250mm
Operating Temp.	-40°C to 80°C	Protection	IP51
Mechanical vibratio	MIL-SID-810E	Humidity	10% to 90% RH
Materials	Lead Free,RoHS compliant	CE Certified	YES

### Drawings