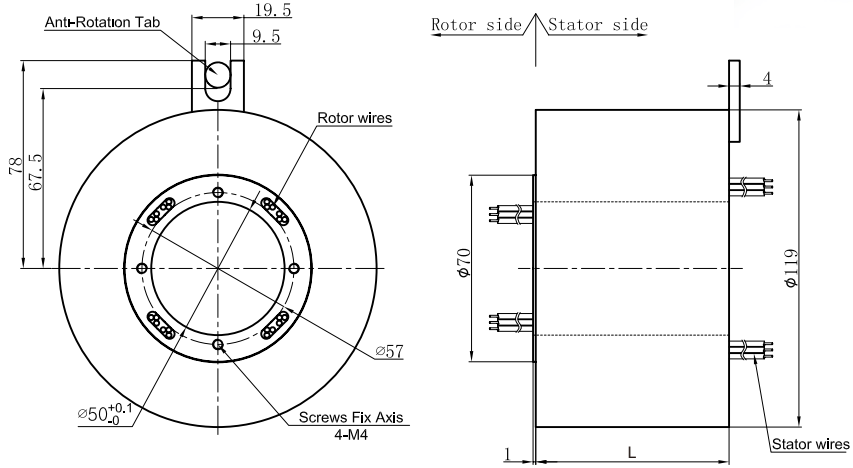
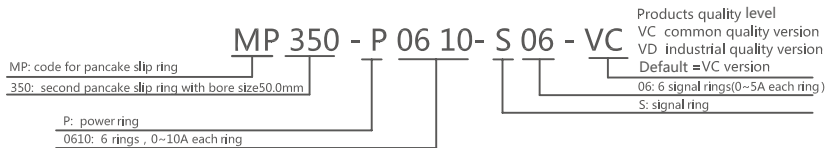


MP350 Series Pancake Slip Ring

MP350 second pancake slip ring, through bore size is 50mm, all aluminum alloy structure, using precious metal contact material and gold-plated processing. It can transmit stable signal and power with small resistance fluctuations. It's mainly applied to those applications with transverse space limit but with no height space limit.



Explanation



Part list

| MP350 series pancake slip ring | | | | |
|--------------------------------|-------------|-----|-----|------------|
| Parts# | Signal (5A) | 10A | 20A | Length(mm) |
| MP350-S02 | 2 | 0 | 0 | 17.1 |
| MP350-P0210 | 0 | 2 | 0 | 17.1 |
| MP350-P0210-S02 | 2 | 2 | 0 | 23.9 |
| MP350-P0410 | 0 | 4 | 0 | 23.9 |
| MP350-S06 | 6 | 0 | 0 | 30.7 |
| MP350-P0610 | 0 | 6 | 0 | 30.7 |
| MP350-P0620 | 0 | 0 | 6 | 30.7 |
| MP350-P0210-S04 | 4 | 2 | 0 | 30.7 |
| MP350-S12 | 12 | 0 | 0 | 51.1 |
| MP350-P1210 | 0 | 12 | 0 | 51.1 |
| MP350-P1220 | 0 | 0 | 12 | 51.1 |
| MP350-P0610-S06 | 6 | 6 | 0 | 51.1 |
| MP350-P0620-S06 | 6 | 0 | 6 | 51.1 |
| MP350-S18 | 18 | 0 | 0 | 71.5 |
| MP350-P1810 | 0 | 18 | 0 | 71.5 |
| MP350-P0610-S12 | 12 | 6 | 0 | 71.5 |
| MP350-P1210-S06 | 6 | 12 | 0 | 71.5 |
| MP350-P0810-S10 | 10 | 8 | 0 | 71.5 |
| MP350-S24 | 24 | 0 | 0 | 91.9 |
| MP350-P2410 | 0 | 24 | 0 | 91.9 |
| MP350-P0610-S18 | 18 | 6 | 0 | 91.9 |
| MP350-P1210-S12 | 12 | 12 | 0 | 91.9 |

Note:1) N channels 10A rings parallel can be used as 1 channel N*10A current. For example: 2 rings 10A parallel could be used as 1 wires 20A
 2) Through bore size, total circuits and current can be customized, please contact sales for more details.

Specifications

| Electrical Data | | |
|-----------------------|---------------------------------|----------------|
| Parameter | Value | |
| | Power | Signal |
| Rated Voltage | 0~440VAC/VDC | 0~240VAC/VDC |
| Insulation Resistance | ≥1000MΩ/500VDC | ≥1000MΩ/500VDC |
| Lead Wire | AWG16#Teflon | AWG22#Teflon |
| Lead Length | Standard 300mm (adjustable) | |
| Dielectric Strength | 500VAC@50Hz , 60s | |
| Electrical Noise | <0.01Ω | |
| Mechanical Data | | |
| Parameter | Value | |
| Working Life | See product quality level table | |
| Rotating Speed | See product quality level table | |
| Working Temperature | -30°C~80°C | |
| Operating Humidity | 0~85% RH | |
| Contact Material | See product quality level table | |
| Housing Materia | aluminium alloy | |
| Torque | 0.1N.m ; +0.03N.m/6rings | |
| Protection Grade | IP51 | |

Product Quality Level Table

| Products Level Code | Max Rotating Speed | Working Life | Contact Material |
|---------------------|--------------------|-----------------|------------------|
| VC | 60RPM | 3 million revs | Precious Metal |
| VD | 200RPM | 10 million revs | Gold-plated |

Lead Wires Color Code

| Ring | 1 | 2 | 3 | 4 | 5 | 6 | 7 | 8 | 9 | 10 | 11 | 12 |
|-------|-----|-----|-----|-----|-----|-----|-----|-----|-----|-----|-----|-----|
| Color | BLK | RED | YEL | GRN | BLU | WHT | BLK | RED | YEL | GRN | BLU | WHT |

Note : 6 wires for 1 group color, from 7-12, repeat the same color as 1...6, indicated with number code pipe.