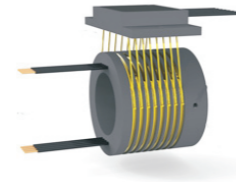


MSP238 Series

Through bore 38.1mm(1.5"), Max OD: 64mm

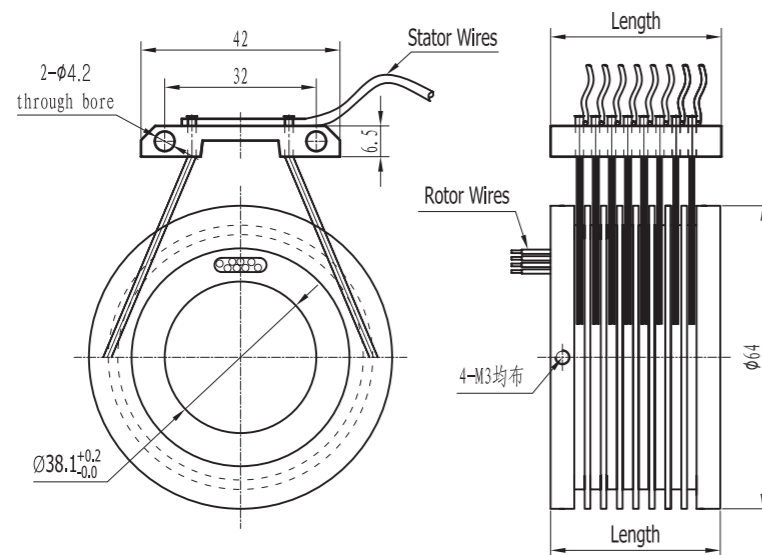
MSP238 slip rings are separated slip ring, with through bore 38.1mm, special designed for limited install space installation, standard, off-the-shelf, Color-coded lead wires are used on both the stator and rotor for simplified electrical connections.



Specifications

Circuits	2~24(see next page)	Current	Signal(2A),10A,Multiple 10A
Voltage	600 VDC/VAC	Max speed	400RPM
Working life	depends on working speed	Contact material	Precious Metal:Gold-Gold
Electrical noise	<10 milliohms	Contact Resistance	<20mOhm
Dielectric strength	800VDC@50Hz	Lead Wire	UL Teflon® Awg22,Awg16
Insulation resistance	1000MΩ@600VDC	Lead Lengths	300mm(12")
Operating Temp.	-40°C to 80°C	Protection	Ip41
Mechanical vibratio	MIL-SID-810E	Humidity	10% to 85% RH
Materials	Lead Free,RoHS compliant	Certified	YES

Drawings



Parts List

***Please note: 10A rings parallel can be used as multiple 10A current.
For Example: 2 rings parallel could be used as 1 wires 20A**

MSP23802 (Length=31.6mm)					
Parts#	Power 10A	signal/2A	Parts#	Power 10A	signal/2A
MSP23802-0200	2	0	MSP23802-0002	0	2

MSP23803 (Length=35mm)					
Parts#	Power 10A	signal/2A	Parts#	Power 10A	signal/2A
MSP23803-0300	3	0	MSP23803-0003	0	3
MSP23803-0102	1	2	MSP23803-0201	2	1

MSP23806 (Length=45mm)					
Parts#	Power 10A	signal/2A	Parts#	Power 10A	signal/2A
MSP23806-0600	6	0	MSP23806-0006	0	6
MSP23806-0204	2	4	MSP23806-0402	4	2

MSP23812(Length=65.5mm)					
Parts#	Power 10A	signal/2A	Parts#	Power 10A	signal/2A
MSP23812-1200	12	0	MSP23812-0012	0	12
MSP23812-0210	2	10	MSP23812-0408	4	8
MSP23812-0606	6	6	MSP23812-0804	8	4
MSP23812-1002	10	2			

MSP23818 (Length=86mm)					
Parts#	Power 10A	signal/2A	Parts#	Power 10A	signal/2A
MSP23818-1800	18	0	MSP23818-0018	0	18
MSP23818-0216	2	16	MSP23818-0414	4	14
MSP23818-0612	6	12	MSP23818-0810	8	10
MSP23818-1008	10	8	MSP23818-1206	12	6
MSP23818-1404	14	4	MSP23818-1602	16	2

MSP23824(Length=106.4mm)					
Parts#	Power 10A	signal/2A	Parts#	Power 10A	signal/2A
MSP23824-2400	24	0	MSP23824-0024	0	24
MSP23824-0618	6	18	MSP23824-1212	12	12
MSP23824-1806	18	6			