

## MT100 Series

Through bore 100mm(3.94"), Overall Diameter: 185mm

MT100 series provides a 100mm(3.94") through-bore for routing of hydraulic or pneumatic lines or hydraulic or pneumatic rotating shaft installation, and a compact 185mm outside diameter, features long life, fiber brush contact technology for ultimate performance in many challenging applications.

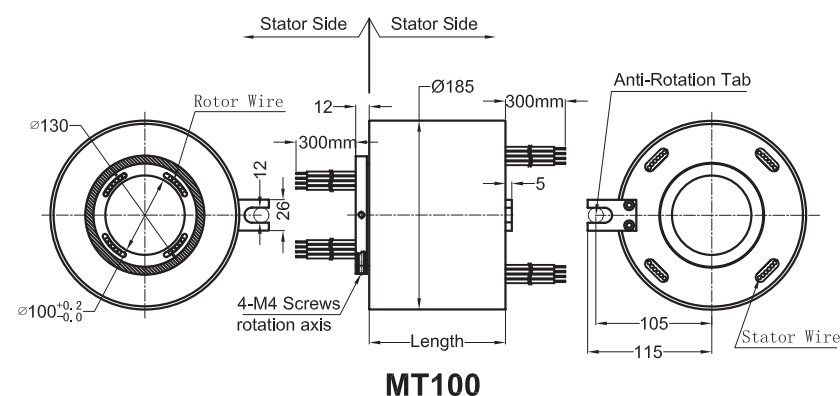


### Specifications

Specifications			
Rings	3~96(see table as below)	Current	Signal(2A),10A
Voltage	600 VDC/VAC	Max speed	250RPM
Through bore size	100mm(3.94")	Overall diameter	185mm(7.28")
Housing Material	Aluminium Alloy	Torque	0.2N.m;+0.03N.m/6rings
Working life	80million revolutions	Contact material	Precious Metal:Gold-Gold
Electrical noise	<10 mOhm	Contact Resistance	< 2 mOhm
Dielectric strength	1000VDC@50Hz	Lead Wire	UL Teflon® Awg22,Awg16
Insulation resistance	1000MΩ@600VDC	Lead Lengths	300mm(12")
Operating Temp.	-40°C to 80°C	Protection	IP51
Mechanical vibratio	MIL-SID-810E	Humidity	10% to 85% RH
Materials	Lead Free,RoHS compliant	Certified	YES

### Drawings

#### Standard drawings:



Lead wire Color codes					
Rings#	Color Code	Rings#	Color Code	Rings#	Color Code
1	BLK	5	YEL	9	GRY
2	BRN	6	GRN	10	WHT
3	RED	7	BLU	11	PINK
4	ORN	8	PURPLE	12	AZURY

12 wires for one group color, from 13 ... 24, repeat the same color as 1 ... 12, indicated with number code pipe.

### Parts List

\*Please note: 10A rings parallel can be used as multiple 10A current.

For Example: 2 rings parallel could be used as 1 wires 20A

MT10002 (Length=48mm)					
Parts#	Power 10A	signal/2A	Parts#	Power 10A	signal/2A
MT10002-0200	2	0	MT10002-0002	0	2

MT10003 (Length=52mm)					
Parts#	Power 10A	signal/2A	Parts#	Power 10A	signal/2A
MT10003-0300	3	0	MT10003-0003	0	3
MT10003-0102	1	2	MT10003-0201	2	1

MT10006 (Length=64mm)					
Parts#	Power 10A	signal/2A	Parts#	Power 10A	signal/2A
MT10006-0600	6	0	MT10006-0006	0	6
MT10006-0204	2	4	MT10006-0402	4	2

MT10012 (Length=88mm)					
Parts#	Power 10A	signal/2A	Parts#	Power 10A	signal/2A
MT10012-1200	12	0	MT10012-0012	0	12
MT10012-0210	2	10	MT10012-0408	4	8
MT10012-0606	6	6	MT10012-0804	8	4
MT10012-1002	10	2			

MT10018 (Length=112mm)					
Parts#	Power 10A	signal/2A	Parts#	Power 10A	signal/2A
MT10018-1800	18	0	MT10018-0018	0	18
MT10018-0216	2	16	MT10018-0414	4	14
MT10018-0612	6	12	MT10018-0810	8	10
MT10018-1008	10	8	MT10018-1206	12	6
MT10018-1404	14	4	MT10018-1602	16	2

MT10024 (Length=136mm)					
Parts#	Power 10A	signal/2A	Parts#	Power 10A	signal/2A
MT10024-2400	24	0	MT10024-0024	0	24
MT10024-0618	6	18	MT10024-1212	12	12
MT10024-1806	18	6			

## Parts List

\*Please note: 10A rings parallel can be used as multiple 10A current.  
For Example: 2 rings parallel could be used as 1 wires 20A

MT10030 (Length=160mm)					
Parts#	Power 10A	signal/2A	Parts#	Power 10A	signal/2A
MT10030-3000	30	0	MT10030-0030	0	30
MT10030-0624	6	24	MT10030-1218	12	18
MT10030-1812	18	12	MT10030-2406	24	6

MT10036 (Length=184mm)					
Parts#	Power 10A	signal/2A	Parts#	Power 10A	signal/2A
MT10036-3600	36	0	MT10036-0036	0	36
MT10036-0630	6	30	MT10036-1224	12	24
MT10036-1818	18	18	MT10036-2412	24	12
MT10036-3006	30	6			

MT10042 (Length=208mm)					
Parts#	Power 10A	signal/2A	Parts#	Power 10A	signal/2A
MT10042-4200	42	0	MT10042-0042	0	42
MT10042-0636	6	36	MT10042-1230	12	30
MT10042-1824	18	24	MT10042-2418	24	18
MT10042-3012	30	12	MT10042-3606	36	6

MT10048 (Length=232mm)					
Parts#	Power 10A	signal/2A	Parts#	Power 10A	signal/2A
MT10048-4800	48	0	MT10048-0048	0	48
MT10048-0642	6	42	MT10048-1236	12	36
MT10048-1830	18	30	MT10048-2424	24	24
MT10048-3018	30	18	MT10048-3612	36	12
MT10048-4206	42	6			

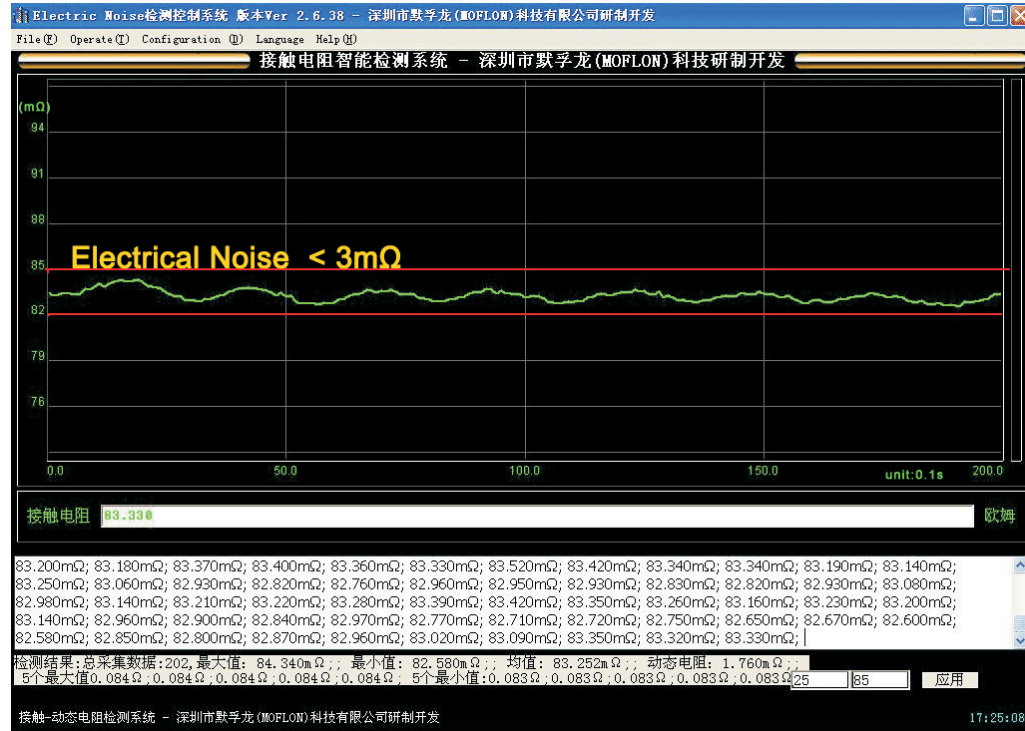
MT10056 (Length=268mm)					
Parts#	Power 10A	signal/2A	Parts#	Power 10A	signal/2A
MT10056-5600	56	0	MT10056-0056	0	56
MT10056-0650	6	50	MT10056-1244	12	44
MT10056-1838	18	38	MT10056-2432	24	32
MT10056-3620	36	20	MT10056-4808	48	8

MT10072 (Length=328mm)					
Parts#	Power 10A	signal/2A	Parts#	Power 10A	signal/2A
MT10072-7200	72	0	MT10072-0072	0	72
MT10072-1260	12	60	MT10072-2448	24	48
MT10072-3042	30	42	MT10072-3636	36	36
MT10072-4824	48	24	MT10072-6012	60	12

MT10096 (Length=424mm)					
Parts#	Power 10A	signal/2A	Parts#	Power 10A	signal/2A
MT10096-9600	96	0	MT10096-0096	0	96
MT10096-1284	12	84	MT10096-2472	24	72
MT10096-3660	36	60	MT10096-4848	48	48
MT10096-6036	60	36	MT10096-7224	72	24

# Electrical Noise Test System

# Slip Rings Assembly Work Shop



# Working life Test System

